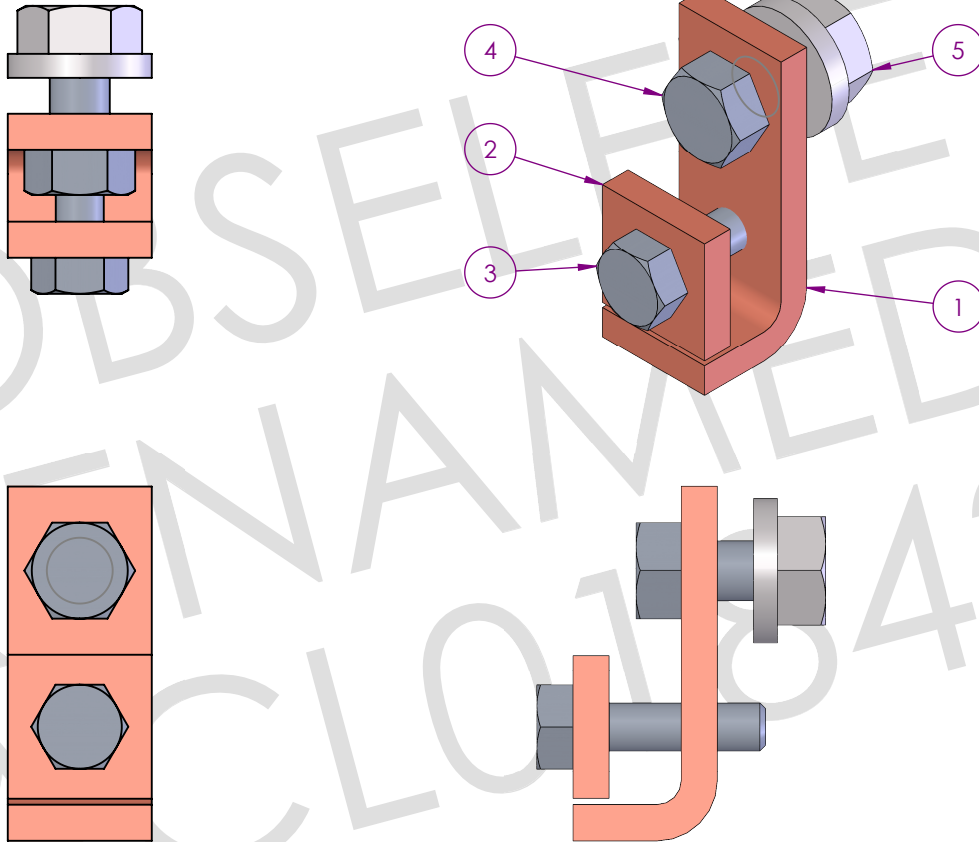



ITEM NO.	PART NUMBER	DESCRIPTION	QTY.
1	CL01843-H	GROUND LUG-HOLDER	1
2	CL01843-C	GROUND LUG-CLAMP	1
3	BOLTA1-4-20X1"A	BOLT HX HD 1-4-20NC X 1" F593C SS	1
4	BOLTA5-16-18X3-4A	BOLT HX HD 5-16-18NC X 3-4 F593C SS	1
5	NUTFLNG5/16-18A	5/16-18 UNC SS FLANGE NUT	1



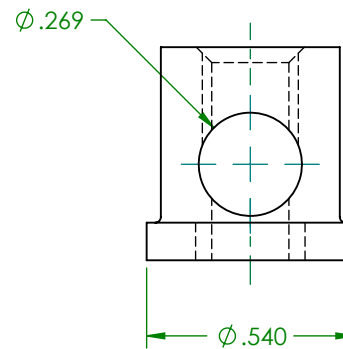
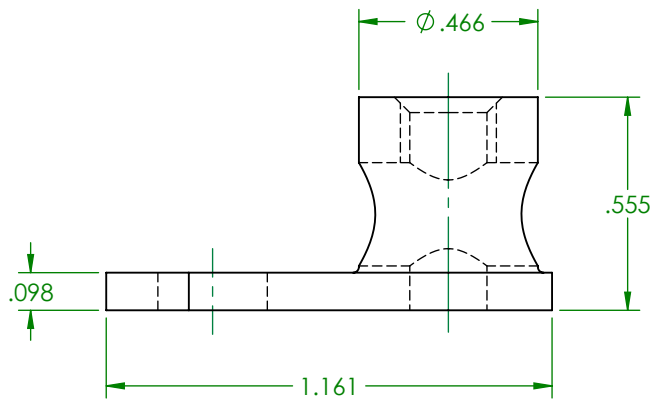
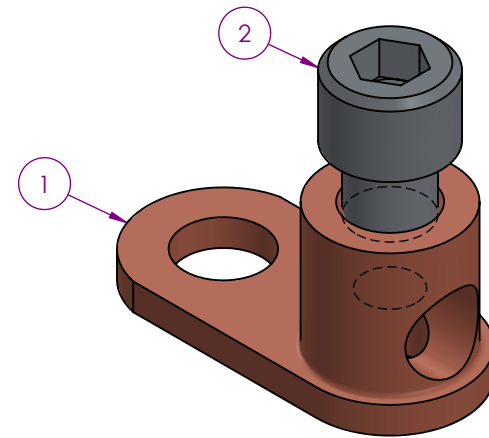
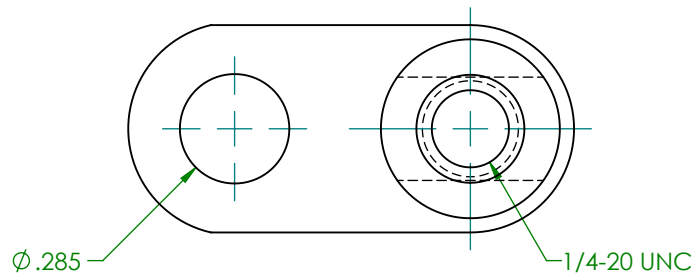
NOTE:

1. MATERIAL TO BE MADE AND MANUFACTURED IN THE USA.
2. CONDUCTOR SIZE-AWG #8 MIN TO AWG #2 MAX.

WEIGHT - 0.2

0	ISSUED	4/5/2017
MMC REV.	DESCRIPTION	DATE
REVISIONS		
DWN: DOUG F.	CL01843	REV
DATE: 12/20/2016		0
CHK:		
SCALE: 1:1		

ITEM NO.	PART NUMBER	DESCRIPTION	QTY.
1	CP4	COPPER SCREW LUG TERMINAL	1
2	HSS1/4-20X1/2SSSCS	1/4-20 X 1/2 SS SOCKET CAP SCREW	1



0	ISSUED	10/17/2017
MMC REV.	DESCRIPTION	DATE
REVISIONS		

DWN: DOUG F.	CP-4	REV
DATE: 10/16/2017		0
CHK:		622 6TH ST. SO. WINSTED, MN 55395
SCALE: 2:1		