
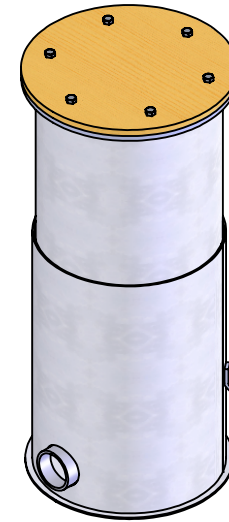
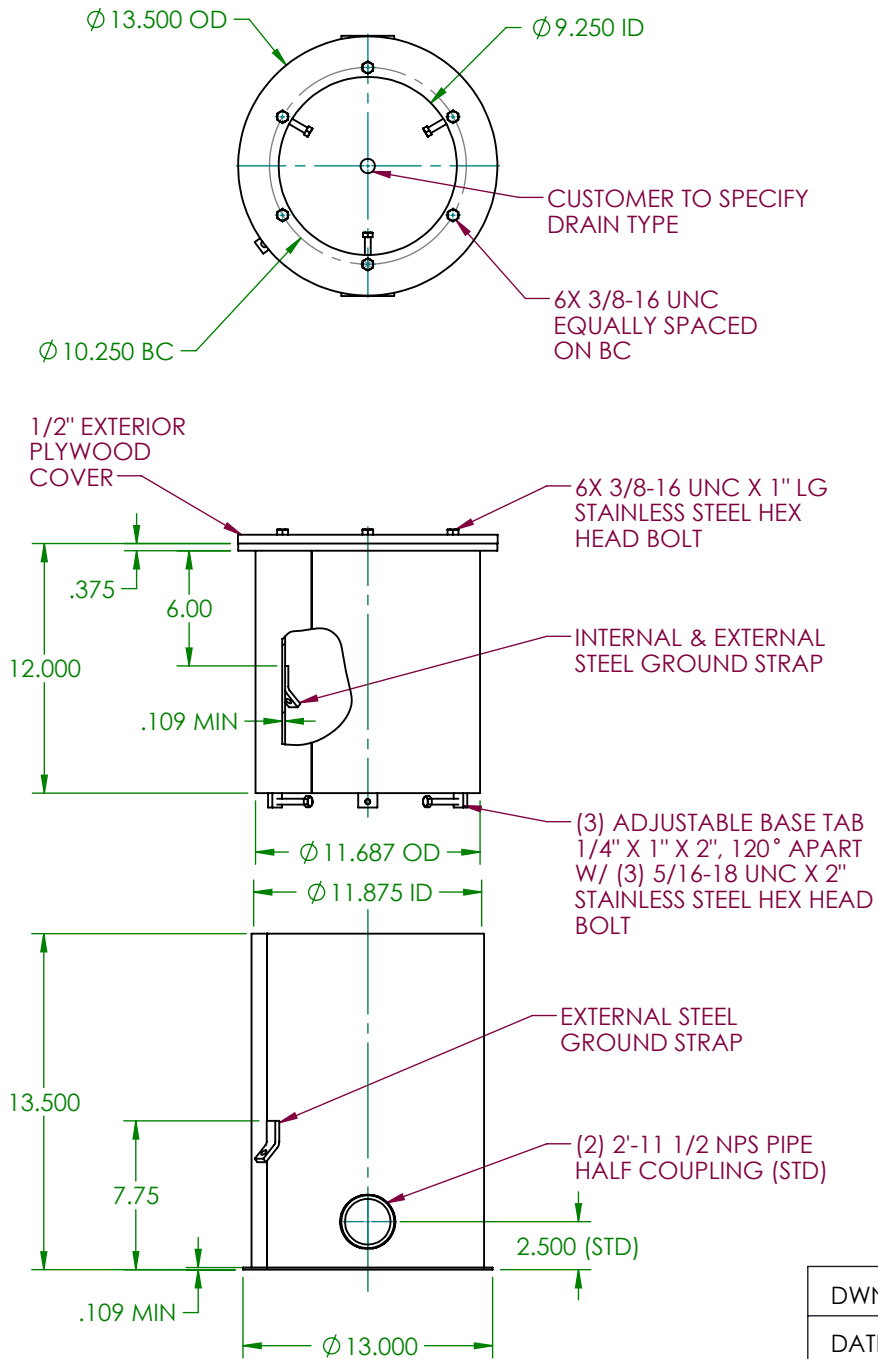


NOTE:

1. LIGHT BASE HEIGHT IS ADJUSTABLE FROM 19" TO 24".
2. 2" COUPLINGS ARE ORIENTED 180° APART. OTHER COUPLING SIZES AND/OR LOCATIONS MUST BE SPECIFIED WHEN ORDERING.
3. THREADS INSIDE COUPLINGS ARE PROTECTED WITH LDPE PLUGS.
4. PLYWOOD COVER IS 1/2" NOMINAL THICKNESS, GRADE CC.
5. A COPPER GROUND LUG IS INCLUDED.
6. CARBON STEEL BASES ARE HOT DIP GALVANIZED PER ASTM A123.
7. L867 ADJUSTABLE LIGHT BASE MUST BE EMBEDDED IN PORTLAND CEMENT CONCRETE TO MEET LOAD REQUIREMENTS OF FAA.
8. AVAILABLE OPTIONS, SPECIFIED WHEN ORDERING, INCLUDE:
 - DRAIN COUPLING
 - STAINLESS STEEL CONSTRUCTION
 - REPLACEABLE STAINLESS STEEL THREADED INSERTS
9. BASE WALL THICKNESS .109 MIN
10. THIS PRODUCT IS CERTIFIED PER FAA ADVISORY CIRCULAR AC150/5345-42 (CURRENT REV).

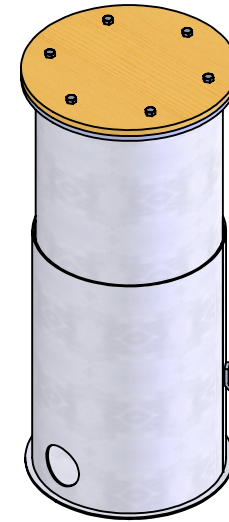
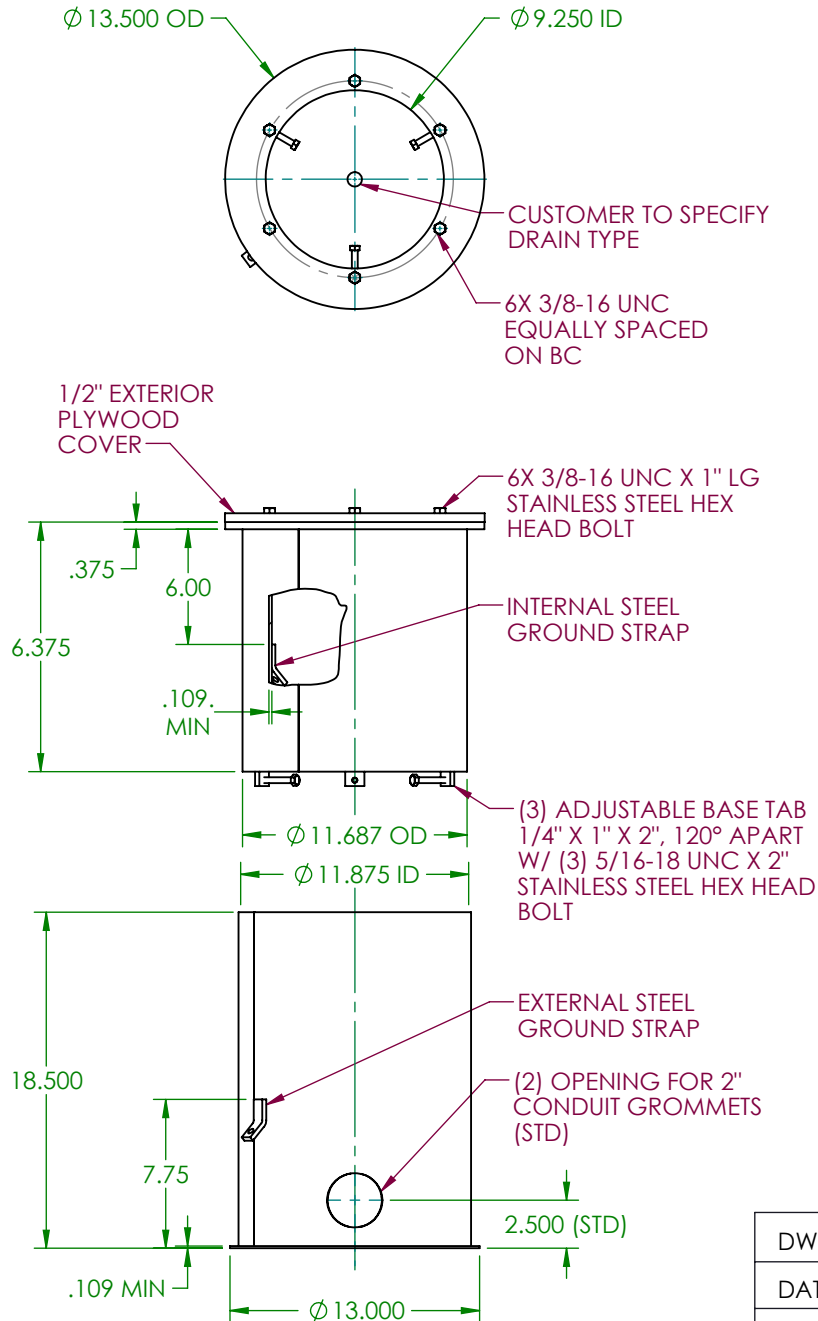
DWN: DOUG F.	L-867B Ø12" ADJUSTABLE LIGHT BASE, 24" MAX HEIGHT, WITH COUPLINGS	
DATE: 7/14/2017		
SCALE: NTS		622 6TH ST. SO. WINSTED, MN 55395
SHEET 1 OF 1		



NOTE:

1. LIGHT BASE HEIGHT IS ADJUSTABLE FROM 16" TO 24 1/2".
2. 2" COUPLINGS ARE ORIENTED 180° APART. OTHER COUPLING SIZES AND/OR LOCATIONS MUST BE SPECIFIED WHEN ORDERING.
3. THREADS INSIDE COUPLINGS ARE PROTECTED WITH LDPE PLUGS.
4. PLYWOOD COVER IS 1/2" NOMINAL THICKNESS, GRADE CC.
5. A COPPER GROUND LUG IS INCLUDED.
6. CARBON STEEL BASES ARE HOT DIP GALVANIZED PER ASTM A123.
7. L867 ADJUSTABLE LIGHT BASE MUST BE EMBEDDED IN PORTLAND CEMENT CONCRETE TO MEET LOAD REQUIREMENTS OF FAA.
8. AVAILABLE OPTIONS, SPECIFIED WHEN ORDERING, INCLUDE:
 - DRAIN COUPLING
 - STAINLESS STEEL CONSTRUCTION
 - REPLACEABLE STAINLESS STEEL THREADED INSERTS
9. BASE WALL THICKNESS .109 MIN
10. THIS PRODUCT IS CERTIFIED PER FAA ADVISORY CIRCULAR AC150/5345-42 (CURRENT REV).

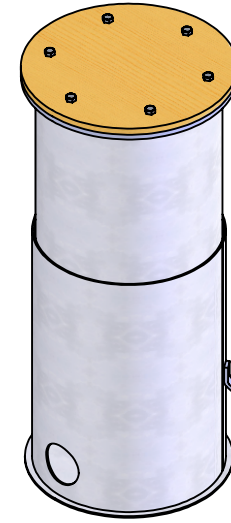
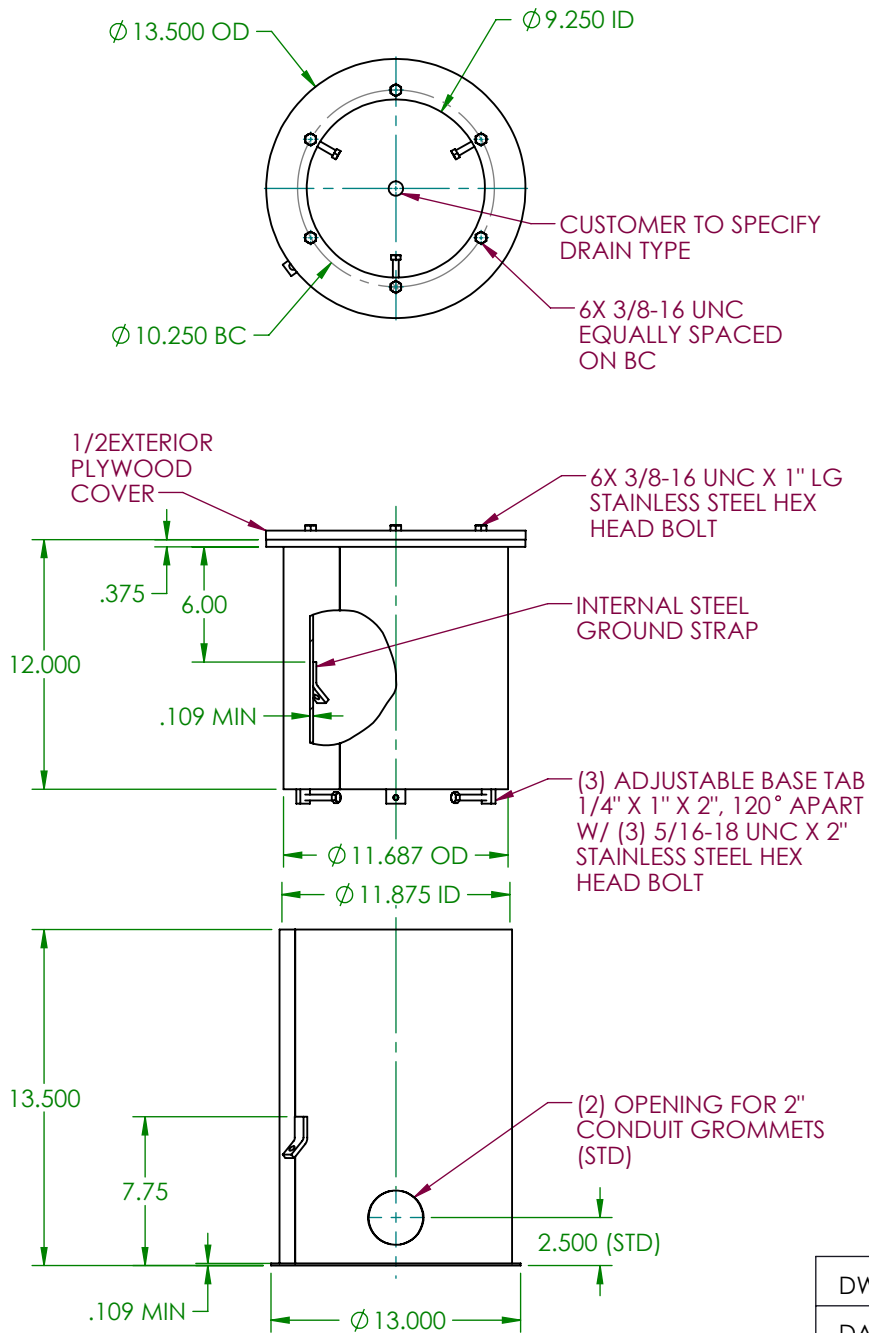
DWN: DOUG F.	L-867B $\phi 12$ " ADJUSTABLE LIGHT BASE, 24 1/2" MAX HEIGHT, WITH COUPLINGS	
DATE: 7/14/2017		
SCALE: NTS	 622 6TH ST. SO. WINSTED, MN 55395	127ACC245PCC
SHEET 1 OF 1		



NOTE:

1. LIGHT BASE HEIGHT IS ADJUSTABLE FROM 19" TO 24".
2. 2" GROMMET OPENINGS ARE ORIENTED 180° APART. OTHER SIZES AND/OR LOCATIONS MUST BE SPECIFIED WHEN ORDERING.
3. (2) $\phi 2$ " GROMMETS (STD) ARE SHIPPED UNASSEMBLED WITH BASE.
4. PLYWOOD COVER IS 1/2" NOMINAL THICKNESS, GRADE CC.
5. A COPPER GROUND LUG IS INCLUDED.
6. CARBON STEEL BASES ARE HOT DIP GALVANIZED PER ASTM A123.
7. L867 ADJUSTABLE LIGHT BASE MUST BE EMBEDDED IN PORTLAND CEMENT CONCRETE TO MEET LOAD REQUIREMENTS OF FAA.
8. AVAILABLE OPTIONS, SPECIFIED WHEN ORDERING, INCLUDE:
 - DRAIN COUPLING
 - STAINLESS STEEL CONSTRUCTION
 - REPLACEABLE STAINLESS STEEL THREADED INSERTS
9. BASE WALL THICKNESS .109 MIN
10. THIS PRODUCT IS CERTIFIED PER FAA ADVISORY CIRCULAR AC150/5345-42 (CURRENT REV).

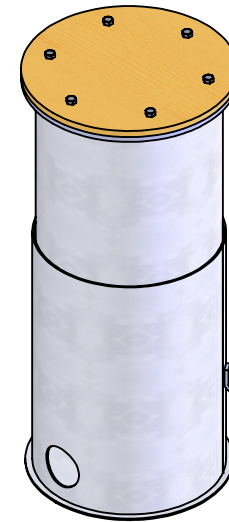
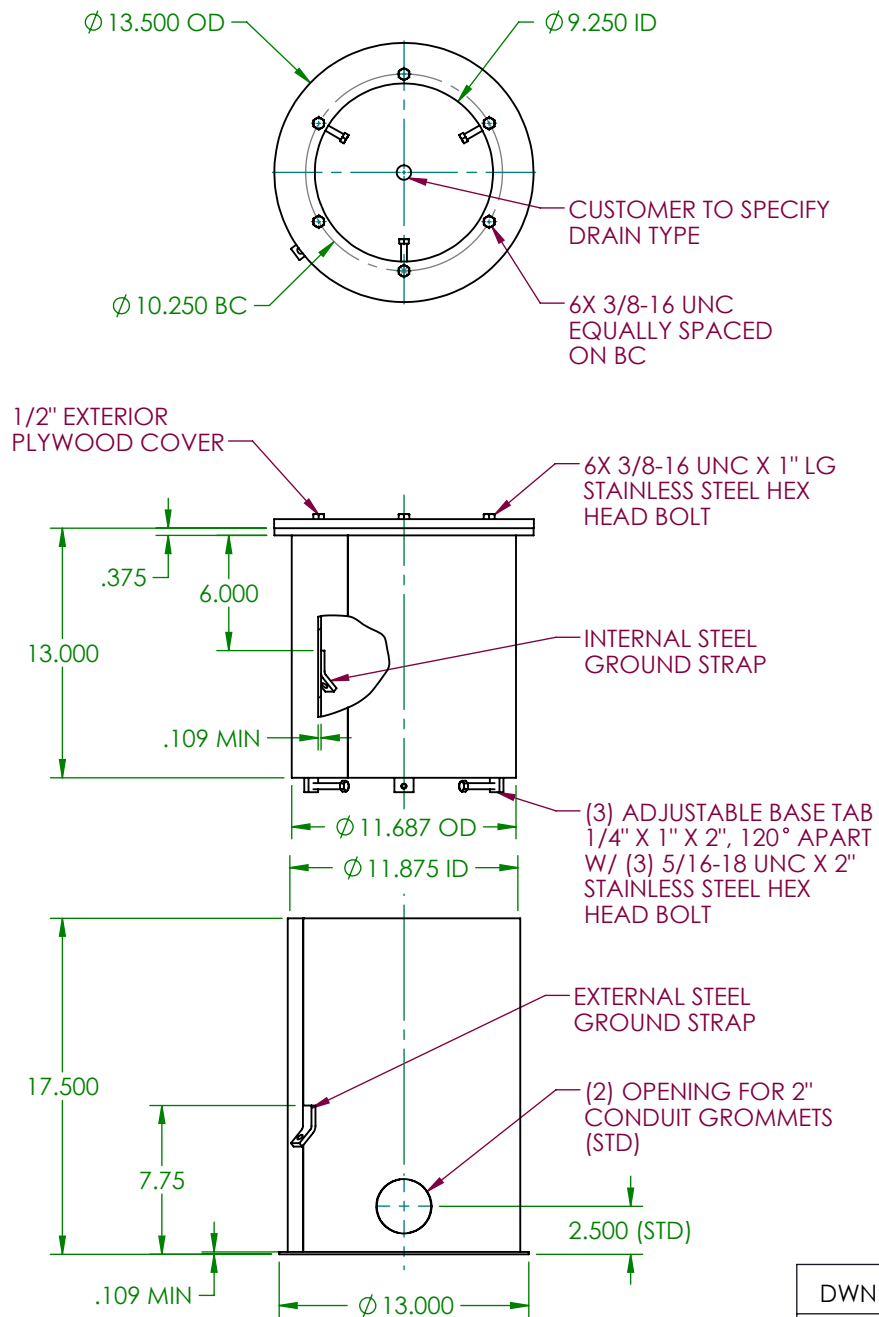
DWN: DOUG F.	L-867B $\phi 12$ " ADJUSTABLE LIGHT BASE, 24" MAX HEIGHT, W/GROMMETS	
DATE: 7/14/2017		
SCALE: NTS	 622 6TH ST. SO. WINSTED, MN 55395	127ACG24PCC
SHEET 1 OF 1		



NOTE:

1. LIGHT BASE HEIGHT IS ADJUSTABLE FROM 16" TO 24 1/2".
2. 2" GROMMET OPENINGS ARE ORIENTED 180° APART. OTHER SIZES AND/OR LOCATIONS MUST BE SPECIFIED WHEN ORDERING.
3. (2) $\phi 2$ " GROMMETS (STD) ARE SHIPPED UNASSEMBLED WITH BASE.
4. PLYWOOD COVER IS 1/2" NOMINAL THICKNESS, GRADE CC.
5. A COPPER GROUND LUG IS INCLUDED.
6. CARBON STEEL BASES ARE HOT DIP GALVANIZED PER ASTM A123.
7. L867 ADJUSTABLE LIGHT BASE MUST BE EMBEDDED IN PORTLAND CEMENT CONCRETE TO MEET LOAD REQUIREMENTS OF FAA.
8. AVAILABLE OPTIONS, SPECIFIED WHEN ORDERING, INCLUDE:
 - DRAIN COUPLING
 - STAINLESS STEEL CONSTRUCTION
 - REPLACEABLE STAINLESS STEEL THREADED INSERTS
9. BASE WALL THICKNESS .109 MIN
10. THIS PRODUCT IS CERTIFIED PER FAA ADVISORY CIRCULAR AC150/5345-42 (CURRENT REV).

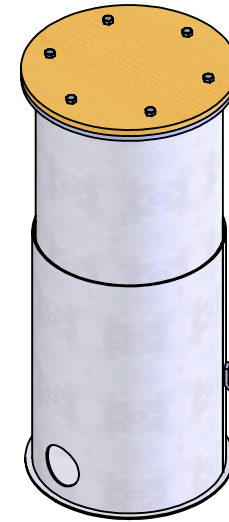
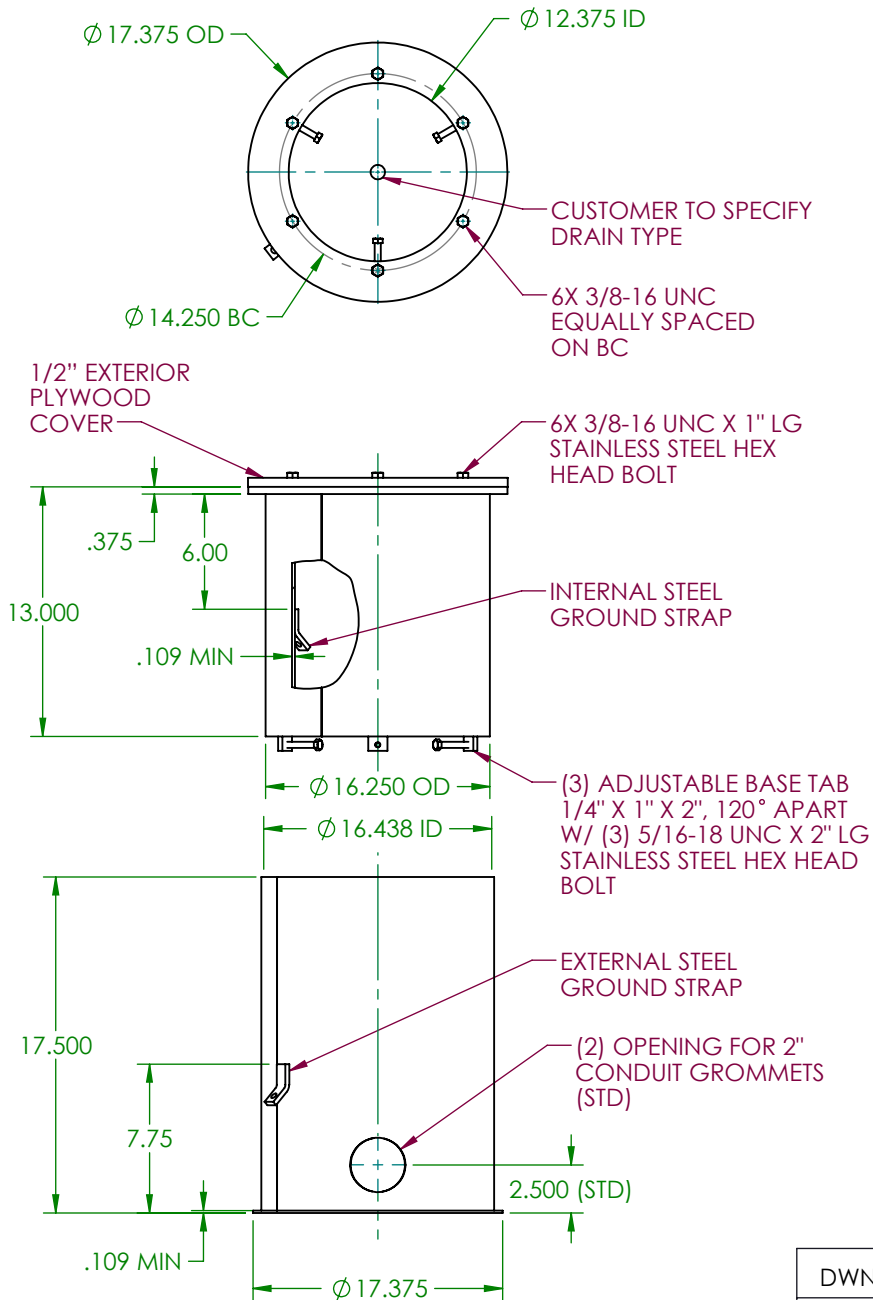
DWN: DOUG F.	L-867B $\phi 12$ " ADJUSTABLE LIGHT BASE, 24 1/2" MAX HEIGHT, W/GROMMETS	
DATE: 7/14/2017		
SCALE: NTS	 622 6TH ST. SO. WINSTED, MN 55395	127ACG245PCC
SHEET 1 OF 1		



NOTE:

1. LIGHT BASE HEIGHT IS ADJUSTABLE FROM 17 7/8" TO 29 1/2".
2. 2" GROMMET OPENINGS ARE ORIENTED 180° APART. OTHER SIZES AND/OR LOCATIONS MUST BE SPECIFIED WHEN ORDERING.
3. (2) $\phi 2$ " GROMMETS (STD) ARE SHIPPED UNASSEMBLED WITH BASE.
4. PLYWOOD COVER IS 1/2" NOMINAL THICKNESS, GRADE CC.
5. A COPPER GROUND LUG IS INCLUDED.
6. CARBON STEEL BASES ARE HOT DIP GALVANIZED PER ASTM A123.
7. L867 ADJUSTABLE LIGHT BASE MUST BE EMBEDDED IN PORTLAND CEMENT CONCRETE TO MEET LOAD REQUIREMENTS OF FAA.
8. AVAILABLE OPTIONS, SPECIFIED WHEN ORDERING, INCLUDE:
 - DRAIN COUPLING
 - STAINLESS STEEL CONSTRUCTION
 - REPLACEABLE STAINLESS STEEL THREADED INSERTS
9. BASE WALL THICKNESS .109 MIN
10. THIS PRODUCT IS CERTIFIED PER FAA ADVISORY CIRCULAR AC150/5345-42 (CURRENT REV).

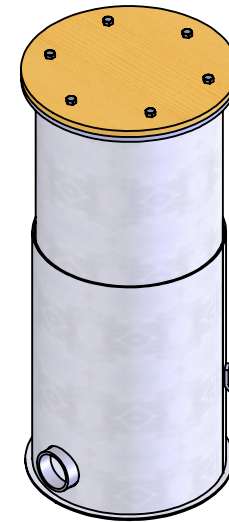
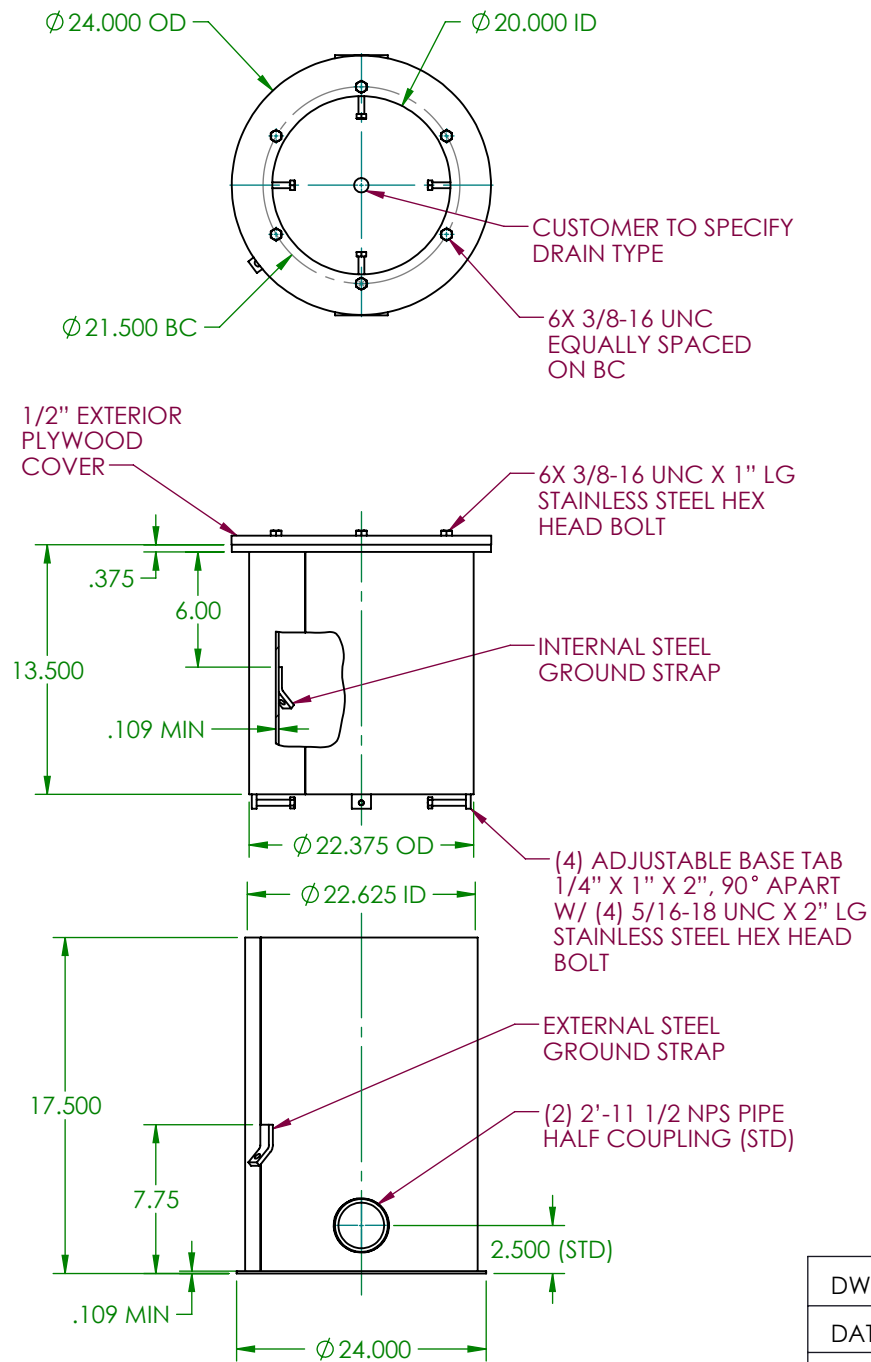
DWN: DOUG F.	L-867B $\phi 12$ " ADJUSTABLE LIGHT BASE, 29 1/2" MAX HEIGHT, W/GROMMETS	
DATE: 7/14/2017		
SCALE: NTS	 622 6TH ST. SO. WINSTED, MN 55395	127ACG295PCC
SHEET 1 OF 1		



NOTE:

1. LIGHT BASE HEIGHT IS ADJUSTABLE FROM 17 7/8" TO 29 1/2".
2. 2" GROMMET OPENINGS ARE ORIENTED 180° APART. OTHER SIZES AND/OR LOCATIONS MUST BE SPECIFIED WHEN ORDERING.
3. (2) $\phi 2$ " GROMMETS (STD) ARE SHIPPED UNASSEMBLED WITH BASE.
4. PLYWOOD COVER IS 1/2" NOMINAL THICKNESS, GRADE CC.
5. A COPPER GROUND LUG IS INCLUDED.
6. CARBON STEEL BASES ARE HOT DIP GALVANIZED PER ASTM A123.
7. L867 ADJUSTABLE LIGHT BASE MUST BE EMBEDDED IN PORTLAND CEMENT CONCRETE TO MEET LOAD REQUIREMENTS OF FAA.
8. AVAILABLE OPTIONS, SPECIFIED WHEN ORDERING, INCLUDE:
 - DRAIN COUPLING
 - STAINLESS STEEL CONSTRUCTION
 - REPLACEABLE STAINLESS STEEL THREADED INSERTS
9. BASE WALL THICKNESS .109 MIN
10. THIS PRODUCT IS CERTIFIED PER FAA ADVISORY CIRCULAR AC150/5345-42 (CURRENT REV).

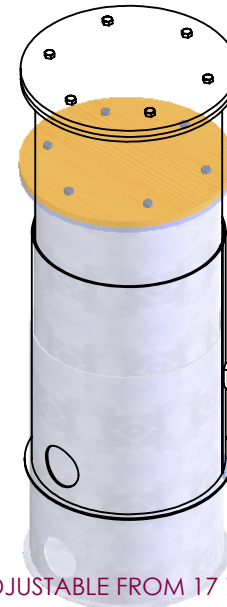
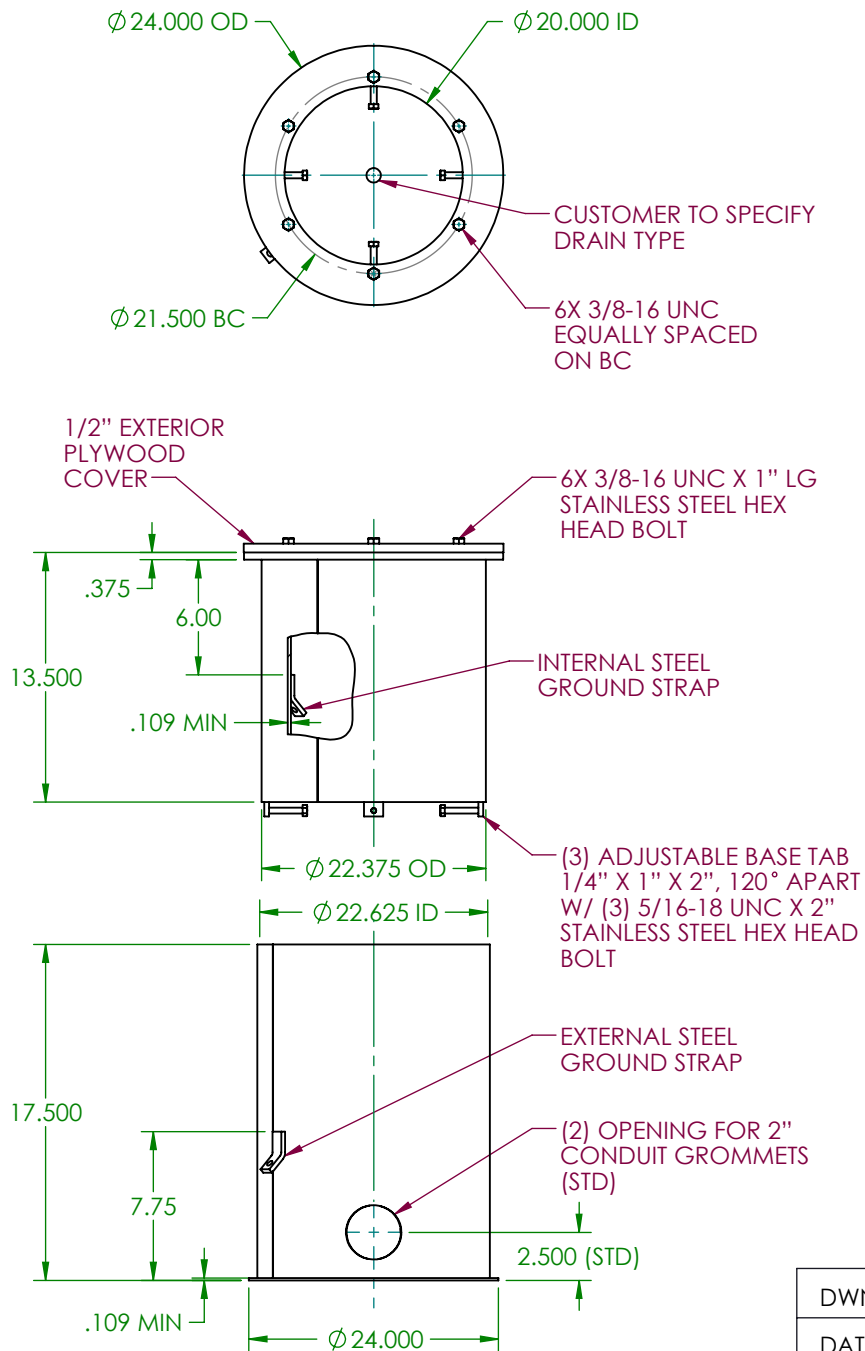
DWN: DOUG F.	L-867D $\phi 16$ " ADJUSTABLE LIGHT BASE, 29 1/2" MAX HEIGHT, W/GROMMETS	
DATE: 7/17/2017		
SCALE: NTS	 622 6TH ST. SO. WINSTED, MN 55395	167ACG295PCC
SHEET 1 OF 1		



NOTE:

1. LIGHT BASE HEIGHT IS ADJUSTABLE FROM 17 7/8" TO 30".
2. 2" COUPLINGS ARE ORIENTED 180° APART. OTHER COUPLING SIZES AND/OR LOCATIONS MUST BE SPECIFIED WHEN ORDERING.
3. THREADS INSIDE COUPLINGS ARE PROTECTED WITH LDPE PLUGS.
4. PLYWOOD COVER IS 1/2" NOMINAL THICKNESS, GRADE CC.
5. A COPPER GROUND LUG IS INCLUDED.
6. CARBON STEEL BASES ARE HOT DIP GALVANIZED PER ASTM A123.
7. L867 ADJUSTABLE LIGHT BASE MUST BE EMBEDDED IN PORTLAND CEMENT CONCRETE TO MEET LOAD REQUIREMENTS OF FAA.
8. AVAILABLE OPTIONS, SPECIFIED WHEN ORDERING, INCLUDE:
 - DRAIN COUPLING
 - STAINLESS STEEL CONSTRUCTION
 - REPLACEABLE STAINLESS STEEL THREADED INSERTS
9. BASE WALL THICKNESS .109 MIN
10. THIS PRODUCT IS CERTIFIED PER FAA ADVISORY CIRCULAR AC150/5345-42 (CURRENT REV).

DWN: DOUG F.	L-867E Ø24" ADJUSTABLE LIGHT BASE, 30" MAX HEIGHT, WITH COUPLINGS	
DATE: 7/17/2017		
SCALE: NTS	 622 6TH ST. SO. WINSTED, MN 55395	247ACC30PCC
SHEET 1 OF 1		



NOTE:

1. LIGHT BASE HEIGHT IS ADJUSTABLE FROM 17 7/8" TO 30".
2. 2" GROMMET OPENINGS ARE ORIENTED 180° APART. OTHER SIZES AND/OR LOCATIONS MUST BE SPECIFIED WHEN ORDERING.
3. (2) $\phi 2"$ GROMMETS (STD) ARE SHIPPED UNASSEMBLED WITH BASE.
4. PLYWOOD COVER IS 1/2" NOMINAL THICKNESS, GRADE CC.
5. A COPPER GROUND LUG IS INCLUDED.
6. CARBON STEEL BASES ARE HOT DIP GALVANIZED PER ASTM A123.
7. L867 ADJUSTABLE LIGHT BASE MUST BE EMBEDDED IN PORTLAND CEMENT CONCRETE TO MEET LOAD REQUIREMENTS OF FAA.
8. AVAILABLE OPTIONS, SPECIFIED WHEN ORDERING, INCLUDE:
 - DRAIN COUPLING
 - STAINLESS STEEL CONSTRUCTION
 - REPLACEABLE STAINLESS STEEL THREADED INSERTS
9. BASE WALL THICKNESS .109 MIN
10. THIS PRODUCT IS CERTIFIED PER FAA ADVISORY CIRCULAR AC150/5345-42 (CURRENT REV).

DWN: DOUG F.	L-867E $\phi 24"$ ADJUSTABLE LIGHT BASE, 30" MAX HEIGHT, W/GROMMETS	
DATE: 8/10/2017		
SCALE: NTS	 622 6TH ST. SO. WINSTED, MN 55395	247ACG30PCC
SHEET 1 OF 1		