


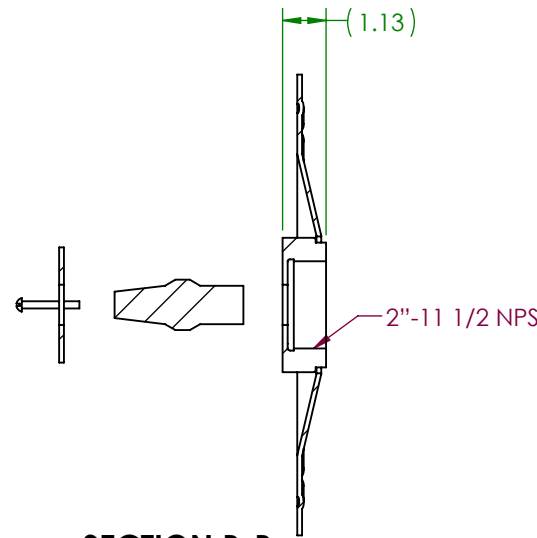
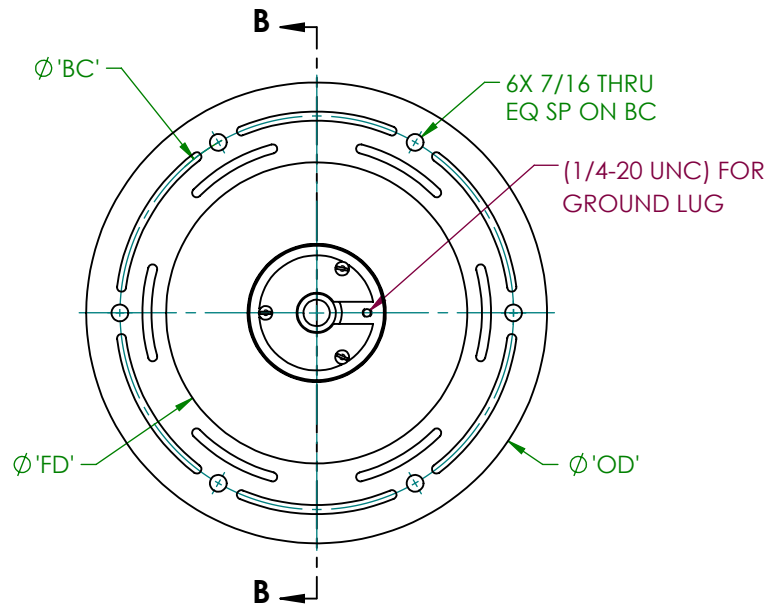
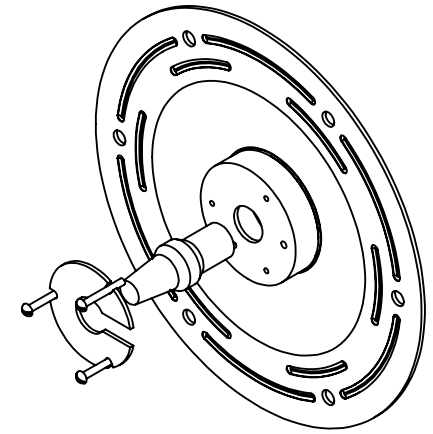
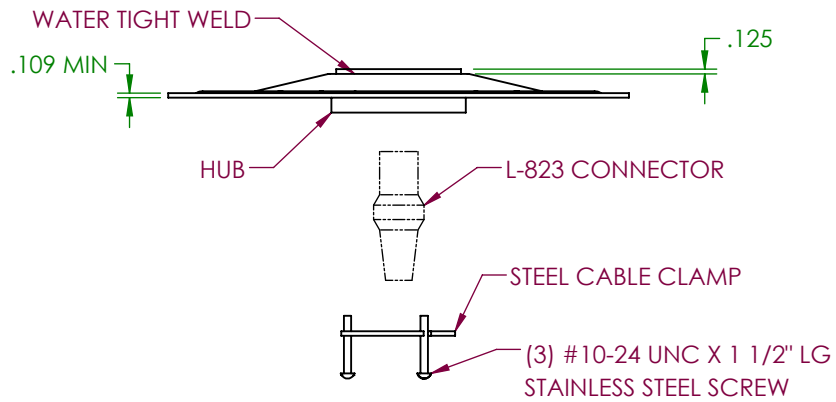
**SECTION B-B**

**NOTE:**

1. FINISH IS POLYESTER TGIC POWDER COAT FULL GLOSS SMOOTH. COLOR IS FS 13538 YELLOW.
2. BASE PLATE IS INDIVIDUALLY PACKED WITH NEOPRENE GASKET, STEEL CABLE CLAMP AND SCREWS FOR SECURING L-823 CONNECTOR AND ASSEMBLY INSTRUCTIONS.
3. FOR GROUNDING OPTION, BASE PLATE PACKAGE INCLUDES (1) 1/4-20 UNC X 1/2" LG SOCKET HEAD CAP SCREW AND (1) #6 COPPER GROUND LUG. ADD "G" TO END OF PART NUMBER FOR GROUNDING OPTION. EX.: 127B015G
4. THIS PRODUCT IS CERTIFIED PER FAA ADVISORY CIRCULAR AC150/5345-42 (CURRENT REV).

FAA TYPE	PART #	'OD'	'BC'	'FD'
L867B	127B015	12"	10.25	7.875
L867D	167B015	16"	14.25	11.125

DWN: DOUG F.	<b>L-867 1 1/2" BASE PLATE</b>	
DATE: 9/26/2017		
SCALE: NTS		622 6TH ST. SO. WINSTED, MN 55395
SHEET 1 OF 1		



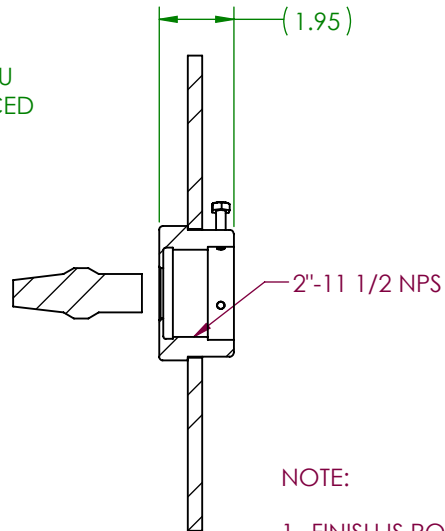
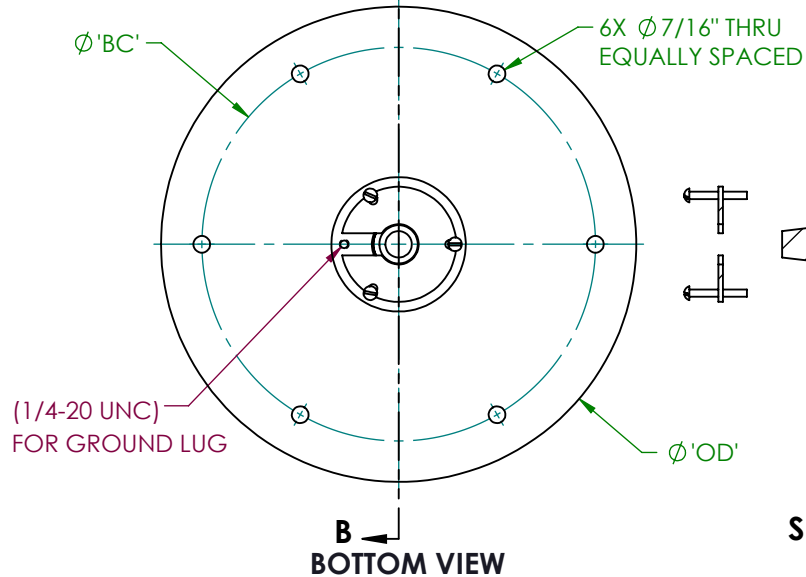
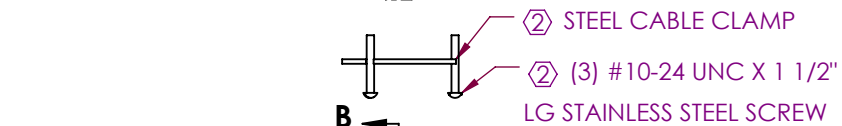
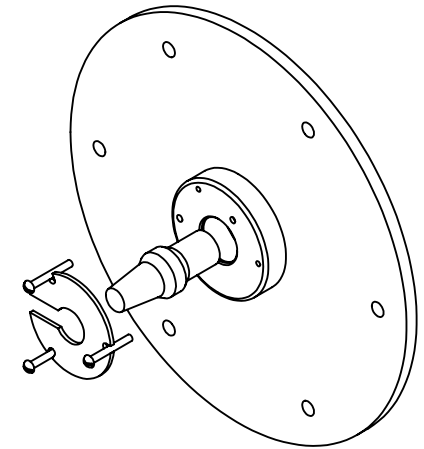
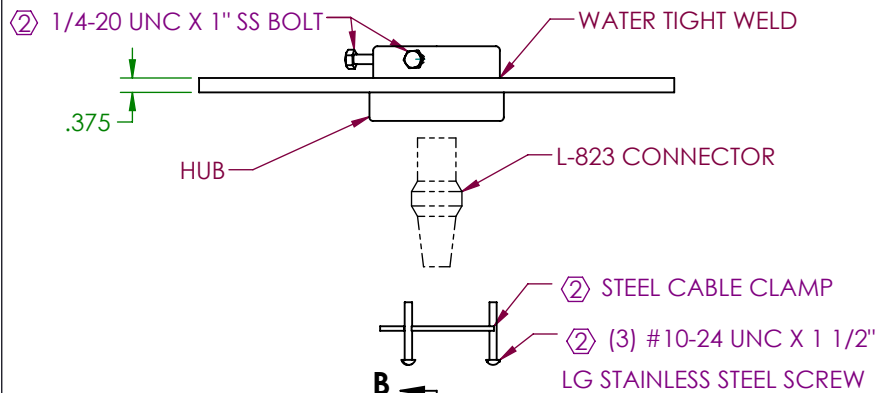
**SECTION B-B**

**NOTE:**

1. FINISH IS POLYESTER TGIC POWDER COAT FULL GLOSS SMOOTH. COLOR IS FS 13538 YELLOW.
2. BASE PLATE IS INDIVIDUALLY PACKED WITH NEOPRENE GASKET, STEEL CABLE CLAMP AND SCREWS FOR SECURING L-823 CONNECTOR AND ASSEMBLY INSTRUCTIONS.
3. FOR GROUNDING OPTION, BASE PLATE PACKAGE INCLUDES (1) 1/4-20 UNC X 1/2\"/>

FAA TYPE	PART #	'OD'	'BC'	'FD'
L867B	127B02	12"	10.25	7.875
L867D	167B02	16"	14.25	11.125

DWN: DOUG F.	<b>L-867 2" BASE PLATE</b>		
DATE: 9/26/2017			
SCALE: NTS		622 6TH ST. SO. WINSTED, MN 55395	<b>7B-2</b>
SHEET 1 OF 1			

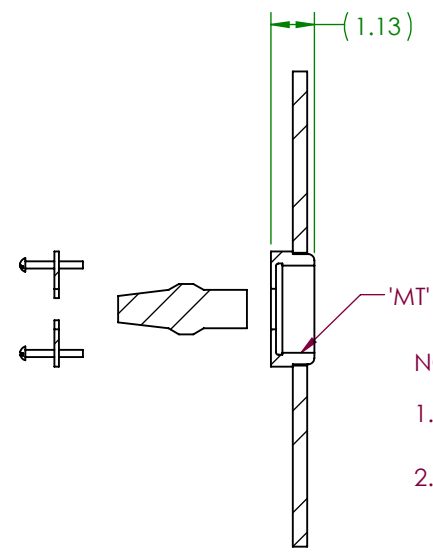
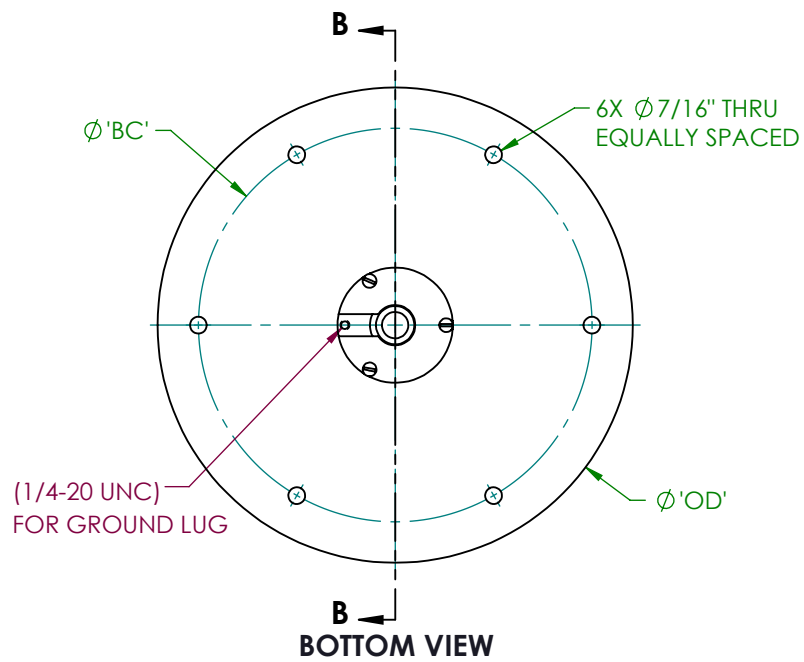
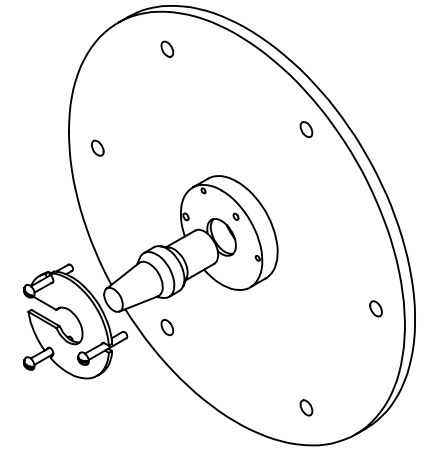
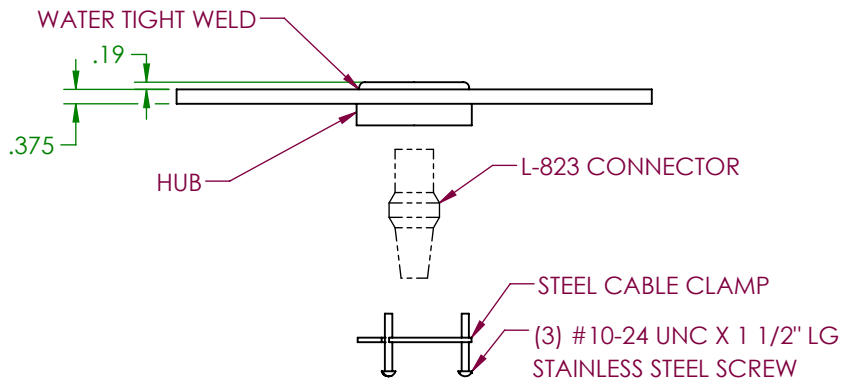


**NOTE:**

1. FINISH IS POLYESTER TGIC POWDER COAT FULL GLOSS SMOOTH. COLOR IS FS 13538 YELLOW.
- ② HEAVY BASE PLATE IS INDIVIDUALLY PACKED WITH NEOPRENE GASKET, STEEL CABLE CLAMP AND SCREWS FOR SECURING L-823 CONNECTOR, ASSEMBLY INSTRUCTIONS AND (2) 1/4-20 UNC X 1" LONG SS HEX HEAD BOLTS.
3. FOR GROUNDING OPTION, BASE PLATE PACKAGE INCLUDES (1) 1/4-20 UNC X 1/2" LG SOCKET HEAD CAP SCREW AND (1) #6 COPPER GROUND LUG. ADD "G" TO END OF PART NUMBER FOR GROUNDING OPTION. EX.: 127B382EHG
4. DESIGNED TO COMPLY WITH FAA CIRCULAR AC510/5345-42 (CURRENT VERSION).

FAA TYPE	'OD'	'BC'	PART NUMBER
L-867B	12.375	10.250	127B382EH
L-867D	16.000	14.250	167B382EH

DWN: DOUG F.	<b>L-867 HEAVY BASE PLATE, EXTENDED HUB</b>		
DATE: 10/4/2017			
SCALE: NTS		622 6TH ST. SO. WINSTED, MN 55395	<b>7B2EH</b>
SHEET 1 OF 1			



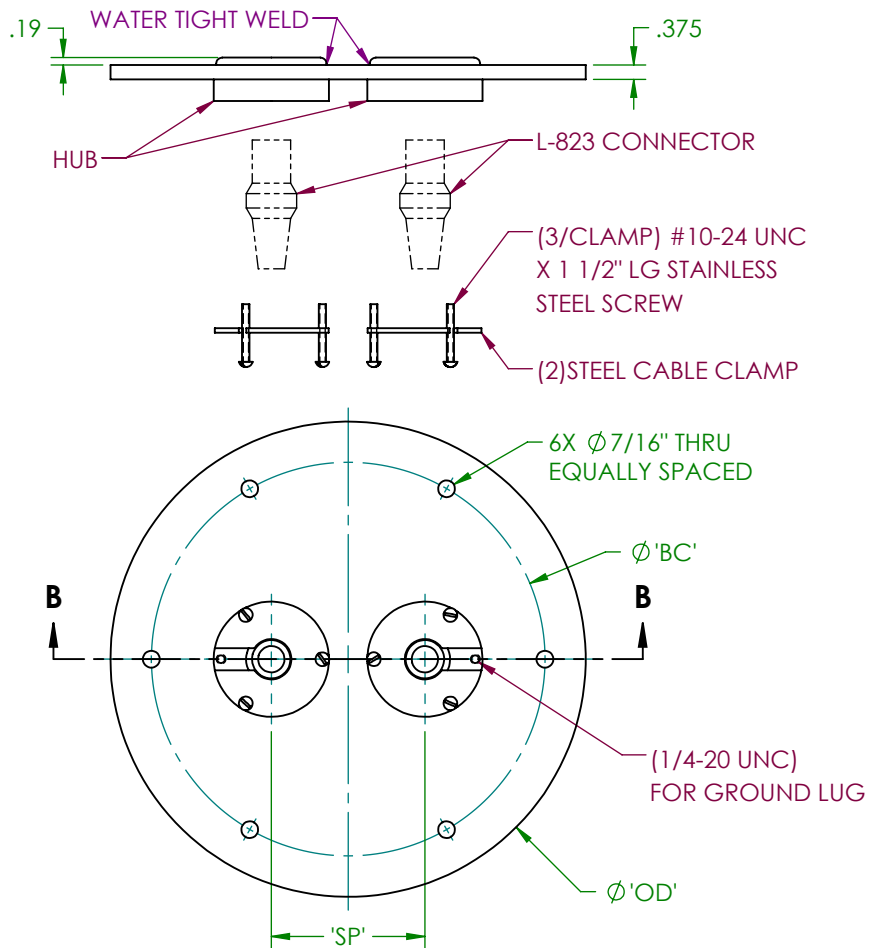
**SECTION B-B**

**NOTE:**

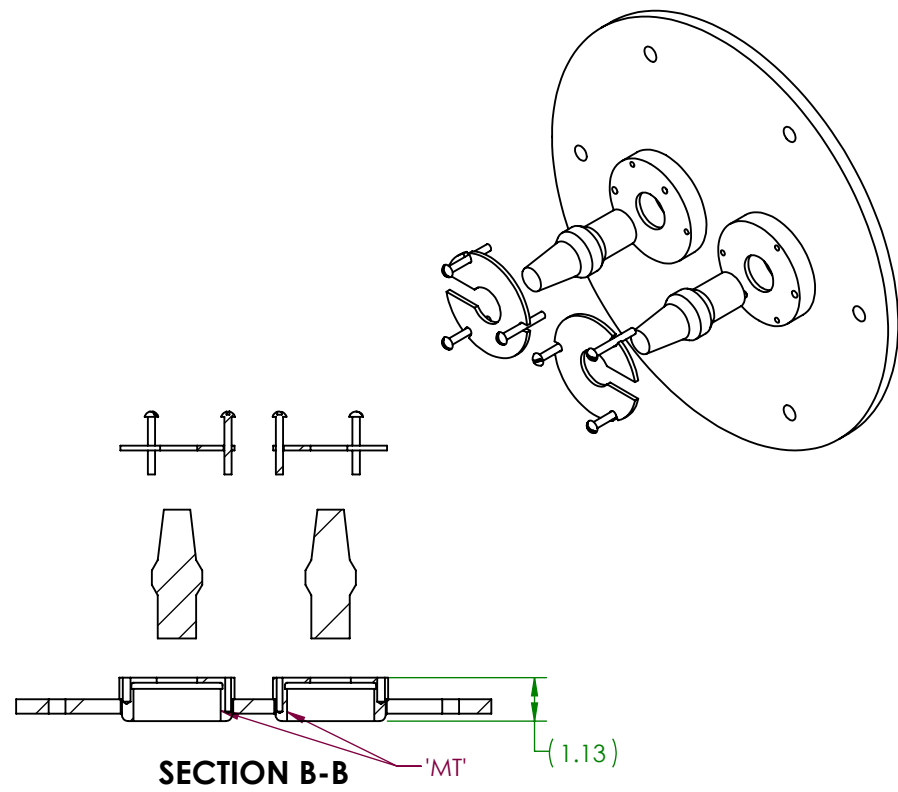
1. FINISH IS POLYESTER TGIC POWDER COAT FULL GLOSS SMOOTH. COLOR IS FS 13538 YELLOW.
2. HEAVY BASE PLATE IS INDIVIDUALLY PACKED WITH NEOPRENE GASKET, STEEL CABLE CLAMP AND SCREWS FOR SECURING L-823 CONNECTOR AND ASSEMBLY INSTRUCTIONS.
3. FOR GROUNDING OPTION, BASE PLATE PACKAGE INCLUDES (1) 1/4-20 UNC X 1/2" LG SOCKET HEAD CAP SCREW AND (1) #6 COPPER GROUND LUG, ADD "G" TO END OF PART NUMBER FOR GROUNDING OPTION. EX.: 127B382G
- ④ THIS PRODUCT IS CERTIFIED PER FAA ADVISORY CIRCULAR AC150/5342-42 (CURRENT REV).
- ⑤ DESIGNED TO COMPLY WITH FAA CIRCULAR AC510/5345-42 (CURRENT VERSION).

FAA TYPE	'OD'	'BC'	'MT'	PART NUMBER
L867B	12.375	10.25	1 1/2-12 UNF	127B3815 ⑤
			2"-11 1/2 NPS	127B382 ④
L867D	16.00	14.25	1 1/2-12 UNF	167B3815 ⑤
			2"-11 1/2 NPS	167B382 ⑤

DWN: DOUG F.	<b>L-867 HEAVY BASE PLATE</b>	
DATE: 9/26/2017		
SCALE: NTS	 <b>MILLERBERND</b>	622 6TH ST. SO. WINSTED, MN 55395
SHEET 1 OF 1		



**BOTTOM VIEW**



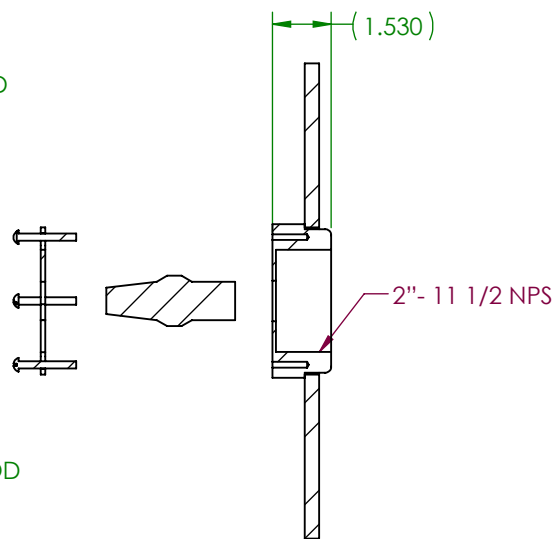
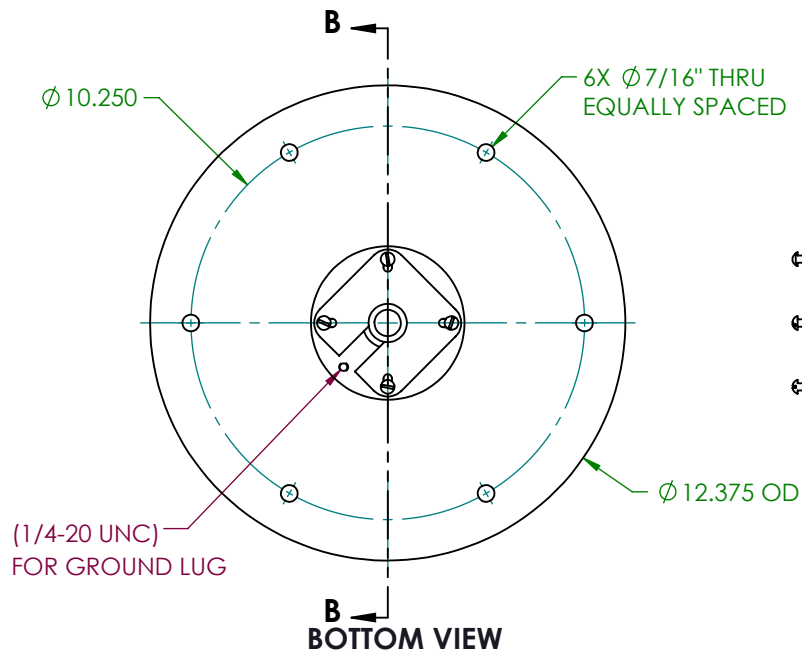
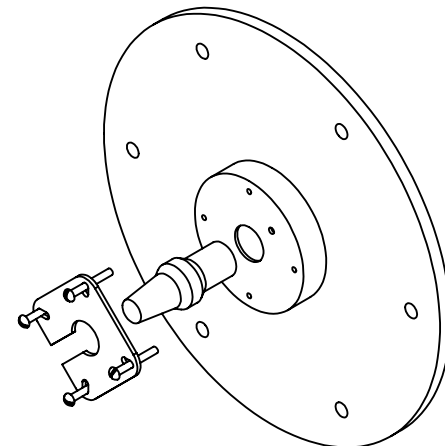
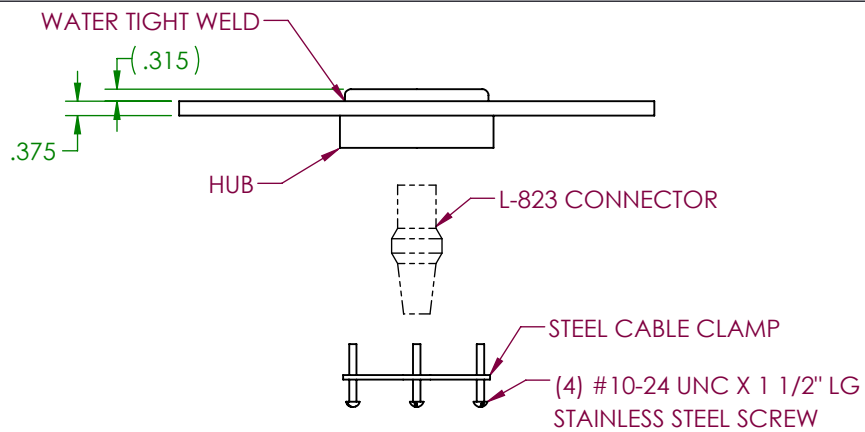
**SECTION B-B**

**NOTE:**

1. FINISH IS POLYESTER TGIC POWDER COAT FULL GLOSS SMOOTH. COLOR IS FS 13538 YELLOW.
2. HEAVY BASE PLATE IS INDIVIDUALLY PACKED WITH NEOPRENE GASKET, STEEL CABLE CLAMPS AND SCREWS FOR SECURING L-823 CONNECTORS AND ASSEMBLY INSTRUCTIONS.
3. FOR GROUNDING OPTION, BASE PLATE PACKAGE INCLUDES (1) 1/4-20 UNC X 1/2" LG SOCKET HEAD CAP SCREW AND (1) #6 COPPER GROUND LUG. ADD "G" TO END OF PART NUMBER FOR GROUNDING OPTION. EX.: 127B3822G.
4. DESIGNED TO COMPLY WITH FAA CIRCULAR AC510/5345-42 (CURRENT VERSION).

FAA TYPE	'OD'	'BC'	'SP'	'MT'	PART NUMBER
L-867B	12.375	10.250	4.00	1 1/2-12 UNF	127B38152
				2"-11 1/2 NPS	127B3822
L-867D	16.000	14.250	8.00	1 1/2-12 UNF	167B38152
				2"-11 1/2 NPS	167B3822


DWN: DOUG F.	<b>L-867 12" HEAVY BASE PLATE, 2 HUBS</b>	
DATE: 2/4/2019		
SCALE: NTS	<b>MILLERBERND</b>	622 6TH ST. SO. WINSTED, MN 55395
SHEET 1 OF 1		



**SECTION B-B**

**NOTE:**

1. FINISH IS POLYESTER TGIC POWDER COAT FULL GLOSS SMOOTH. COLOR IS FS 13538 YELLOW.
2. HEAVY BASE PLATE IS INDIVIDUALLY PACKED WITH NEOPRENE GASKET, STEEL CABLE CLAMP AND SCREWS FOR SECURING L-823 CONNECTOR AND ASSEMBLY INSTRUCTIONS.
3. DESIGNED TO COMPLY WITH FAA CIRCULAR AC510/5345-42 (CURRENT VERSION).

DWN: DOUG F.	<b>L-867 HEAVY BASE PLATE, 2 1/2" HUB</b>	
DATE: 2/14/2018		
SCALE: NTS		622 6TH ST. SO. WINSTED, MN 55395
SHEET 1 OF 1		