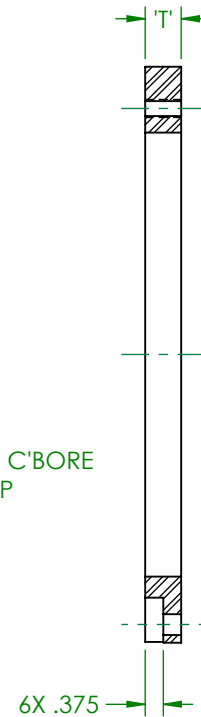
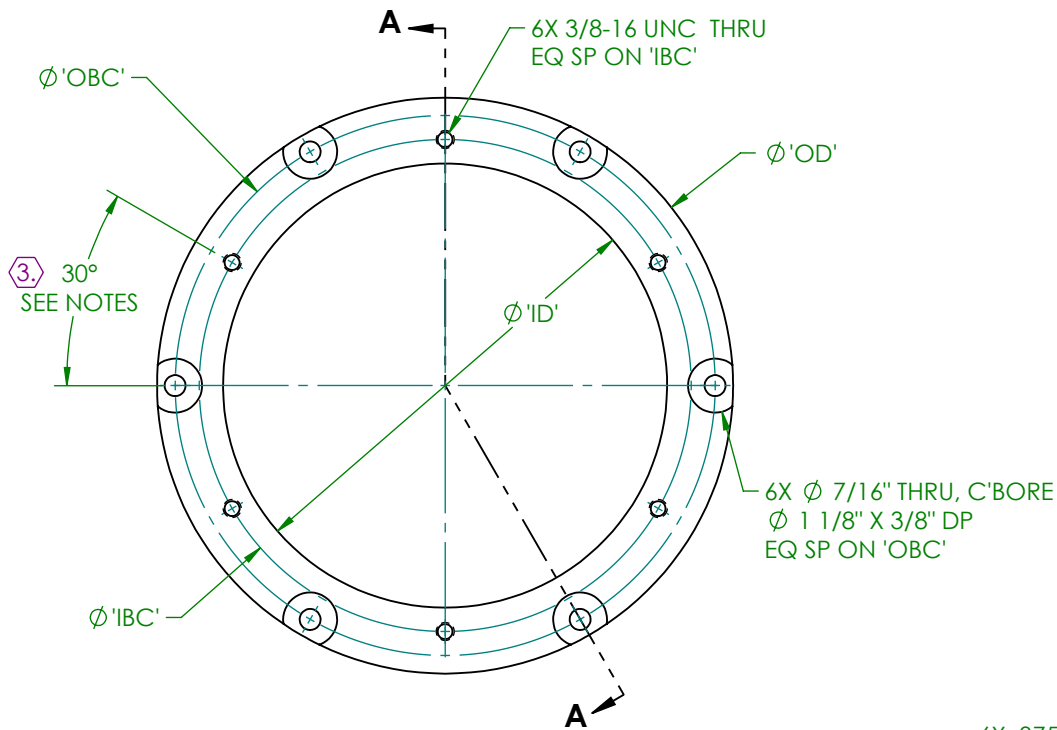
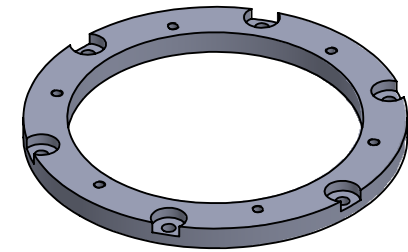


L867 1A CONVERSION RING L867 TO L868



SECTION A-A



NOTE:

1. THIS PRODUCT IS CERTIFIED PER FAA ADVISORY CIRCULAR AC150/5345-42 (CURRENT REV).
2. T= THICKNESS, SPECIFY WHEN ORDERING. 3/4" THICK IS STANDARD.
3. 30° IS THE TYPICAL ORIENTATION. IF A DIFFERENT ORIENTATION IS REQUIRED, IT MUST BE SPECIFIED WHEN ORDERING.
4. (6) 3/8-16 UNC X 1 1/4" LG STAINLESS STEEL HEX HEAD BOLTS AND CEC LOCK WASHERS ARE SHIPPED WITH L-868 TO L-867 CONVERSION RING.
5. MATERIAL-ASTM A36 STEEL. STAINLESS STEEL IS AVAILABLE AS AN OPTION; SPECIFY WHEN ORDERING.
6. CARBON STEEL RINGS ARE HOT DIP GALVANIZED PER ASTM A123.

FAA TYPE	NOM DIA	MMC TYPE	'OD'	'IBC'	'OBC'	'ID'
L-867B	12"	127CR	12.000	10.250	11.250	9.250
L-867D	15"	167CR	15.000	13.250	14.250	12.375

DWN: DOUG F.	CONVERSION RING, L-868 TO L-867		
DATE: 7/24/2017			
SCALE: NTS		622 6TH ST. SO. WINSTED, MN 55395	7CR
SHEET 1 OF 1			