
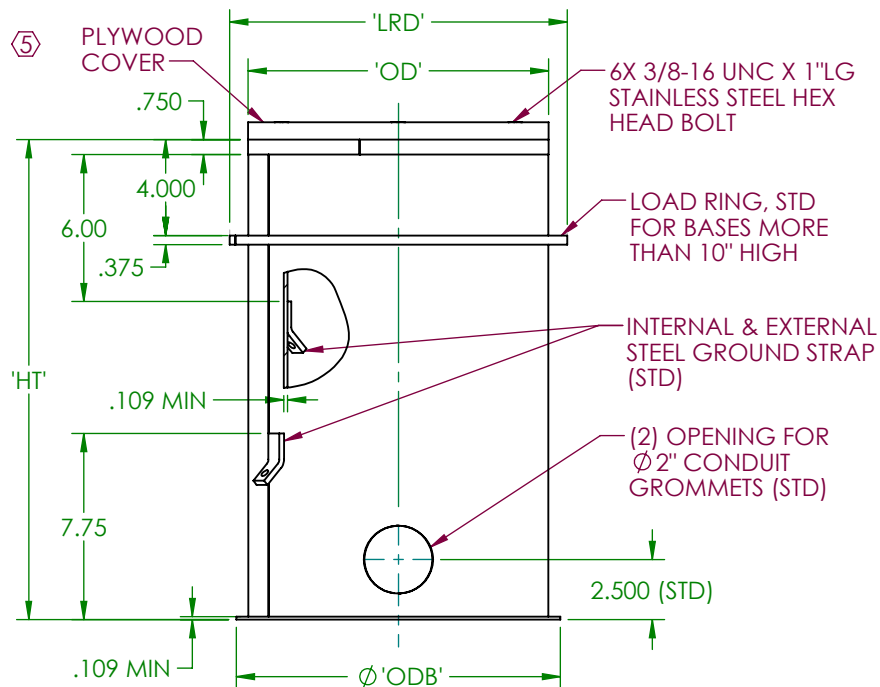
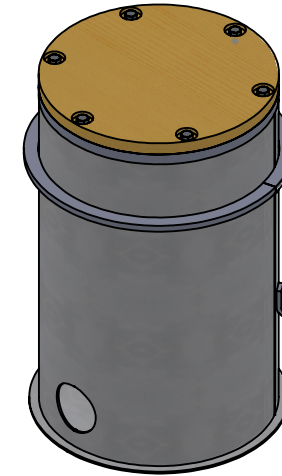
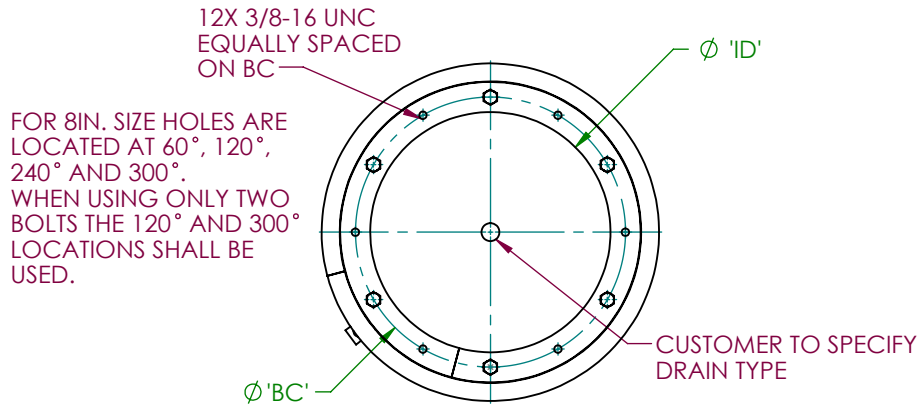


NOTE:

1. 24" IS THE STANDARD HEIGHT; OTHER HEIGHTS ARE AVAILABLE. 36" MAX.
2. TAPPED HOLE PATTERN IN TOP FLANGE IS ALIGNED WITH CENTERLINE OF COUPLINGS.
3. Ø2" COUPLINGS ARE ORIENTED 180° APART. OTHER COUPLING SIZES AND/OR LOCATIONS MUST BE SPECIFIED WHEN ORDERING.
4. THREADS INSIDE THE COUPLINGS ARE PROTECTED WITH LDPE PLUGS.
5. PLYWOOD OR POLOYMER COVER IS EXTERIOR GRADE CC.
 - L-868 8" DIA: 3/4" THICK
 - L-868 12" DIA: 3/4" THICK
 - L-868 15" DIA: 1 1/4" THICK
6. A COPPER GROUND LUG IS INCLUDED.
7. CARBON STEEL BASES ARE HOT DIP GALVANIZED PER ASTM A123.
8. AVAILABLE OPTIONS, SPECIFIED WHEN ORDERING, INCLUDE:
 - DRAIN COUPLING
 - ANTI-ROTATION FINS AND/OR ANTI-UPLIFT BARS
 - STAINLESS STEEL CONSTRUCTION
 - REPLACEABLE STAINLESS STEEL THREADED INSERTS
9. THIS PRODUCT IS CERTIFIED PER FAA ADVISORY CIRCULAR AC150/5345-42 (CURRENT REV).

FAA TYPE	NOM DIA	MMC TYPE	'OD'	'BC'	'ID'	'ODB'	'LRD'
L-868A	8"	88CC	8.500	7.250	6.500	9.500	10.000
L-868B	12"	128CC	12.500	11.250	10.00	13.500	14.000
L-868C	15"	158CC	15.500	14.250	13.00	16.500	17.000


DWN: DOUG F.	L-868 LIGHT BASE WITH COUPLINGS	
DATE: 7/11/2017		
SCALE: NTS		622 6TH ST. SO. WINSTED, MN 55395
SHEET 1 OF 1		

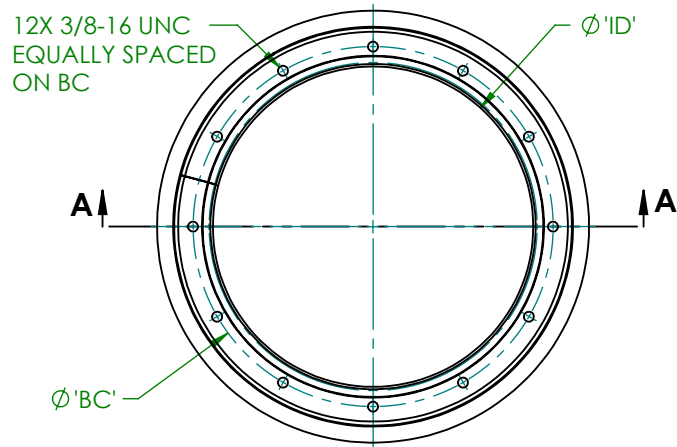


NOTE:

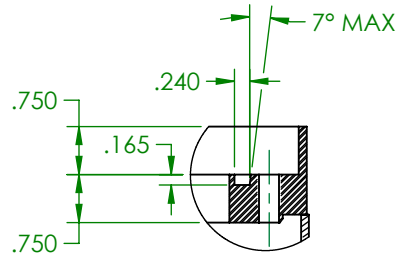
1. 24" IS THE STANDARD HEIGHT; OTHER HEIGHTS ARE AVAILABLE. 36" MAX.
2. TAPPED HOLE PATTERN IN TOP FLANGE IS ALIGNED WITH CENTERLINE OF GROMMET OPENINGS.
3. 2" GROMMET OPENINGS ARE ORIENTED 180° APART. OTHER HOLE SIZES AND/OR LOCATIONS MUST BE SPECIFIED WHEN ORDERING.
4. (2) Ø2" GROMMETS (STD) ARE SHIPPED UNASSEMBLED WITH BASE.
5. PLYWOOD COVER IS EXTERIOR GRADE CC.
 - L-868 8" DIA: 3/4" THICK
 - L-868 12" DIA: 3/4" THICK
 - L-868 15" DIA: 1 1/4" THICK
6. A COPPER GROUND LUG IS INCLUDED.
7. CARBON STEEL BASES ARE HOT DIP GALVANIZED PER ASTM A123.
8. AVAILABLE OPTIONS, SPECIFIED WHEN ORDERING, INCLUDE:
 - DRAIN COUPLING
 - ANTI-ROTATION FINS AND/OR ANTI-UPLIFT BARS
 - STAINLESS STEEL CONSTRUCTION
 - REPLACEABLE STAINLESS STEEL THREADED INSERTS
9. THIS PRODUCT IS CERTIFIED PER FAA ADVISORY CIRCULAR AC150/5345-42 (CURRENT REV).

FAA TYPE	NOM DIA	MMC TYPE	'OD'	'BC'	'ID'	'ODB'	'LRD'
L-868A	8"	88CG	8.500	7.250	6.500	9.500	10.000
L-868B	12"	128CG	12.500	11.250	10.00	13.500	14.000
L-868C	15"	158CG	15.500	14.250	13.00	16.500	17.000

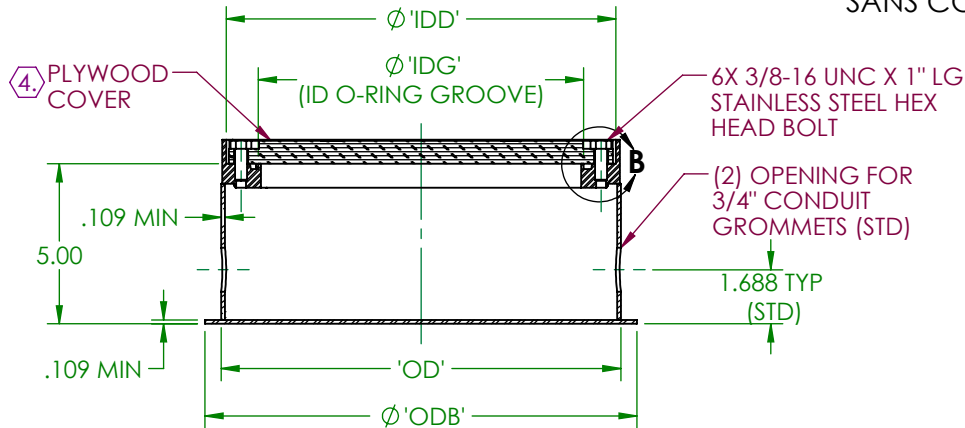
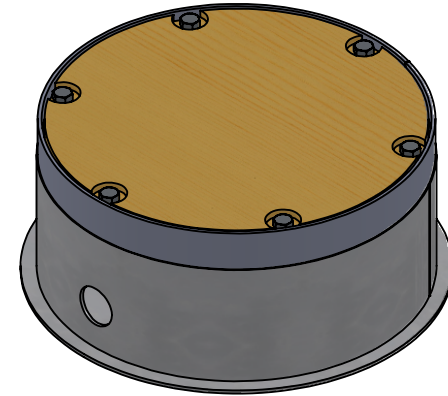
DWN: DOUG F.	L-868 LIGHT BASE WITH GROMMETS	
DATE: 7/11/2017		
SCALE: NTS	 MILLERBERND	622 6TH ST. SO. WINSTED, MN 55395
SHEET 1 OF 1		



FOR 8 IN. SIZE HOLES ARE LOCATED AT 60°, 120°, 240°, AND 300°. WHEN USING ONLY TWO BOLTS THE 120° AND 300° LOCATIONS SHALL BE USED.



DETAIL B
SCALE 1:3
SANS COVER & BOLTS



SECTION A-A

FAA TYPE	NOM DIA	MMC TYPE	'OD'	'ODB'	'BC'	'ID'	'IDD'	'IDG'
L-868A	8"	88ICGY	8.500	9.500	7.250	6.500	8.160	N/A
L-868B	12"	128ICGY	12.500	13.500	11.250	10.000	12.160	10.145
L-868C	15"	158ICGY	15.500	16.500	14.250	13.000	15.160	13.145

Ø8" BASE HAS NO O-RING GROOVE

NOTE:

1. SPECIFY HEIGHT WHEN ORDERING.
2. TAPPED HOLE PATTERN IN TOP FLANGE IS ALIGNED WITH CENTERLINE OF GROMMET OPENINGS.
3. Ø3/4" GROMMET OPENINGS ARE ORIENTED 180° APART. OTHER HOLE SIZES AND/OR LOCATIONS MUST BE SPECIFIED WHEN ORDERING.
4. PLYWOOD COVER IS 3/4" THICK, EXTERIOR GRADE CC.
5. (2) Ø3/4" GROMMETS (STD) SHIPPED UNASSEMBLED WITH BASE.
6. FINISH-ZINC PLATED PER ASTM B633 TYPE II CLASS I OR HIGHER.
7. AVAILABLE OPTIONS, SPECIFIED WHEN ORDERING, INCLUDE:
 - DRAIN OPENING
 - DRAIN COUPLING
 - ANTI-ROTATION FINS
 - ANTI-UPLIFT BARS
 - GROUND LUG
8. THIS PRODUCT IS CERTIFIED PER FAA ADVISORY CIRCULAR AC150/5345-42 (CURRENT REV).

DWN: DOUG F.	L-868 INSET LIGHT BASE W/PAVEMENT DAM		
DATE: 8/30/2017			
SCALE: NTS		622 6TH ST. SO. WINSTED, MN 55395	8ICGY
SHEET 1 OF 1			