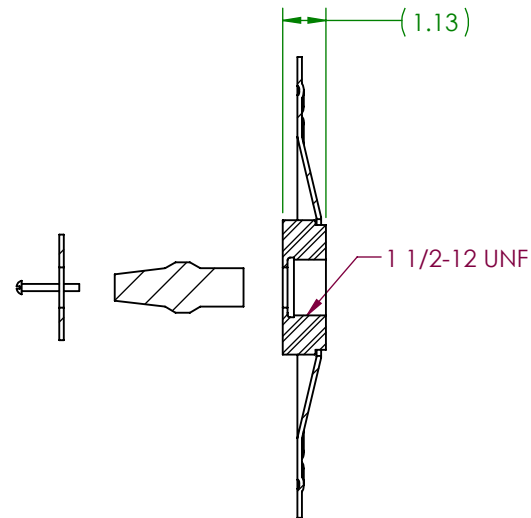



BOTTOM VIEW

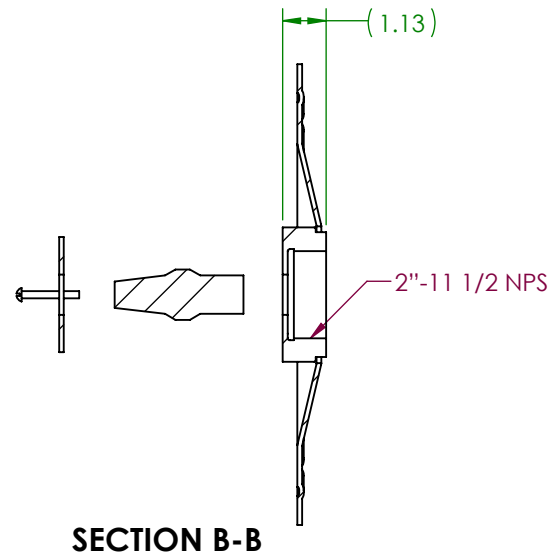
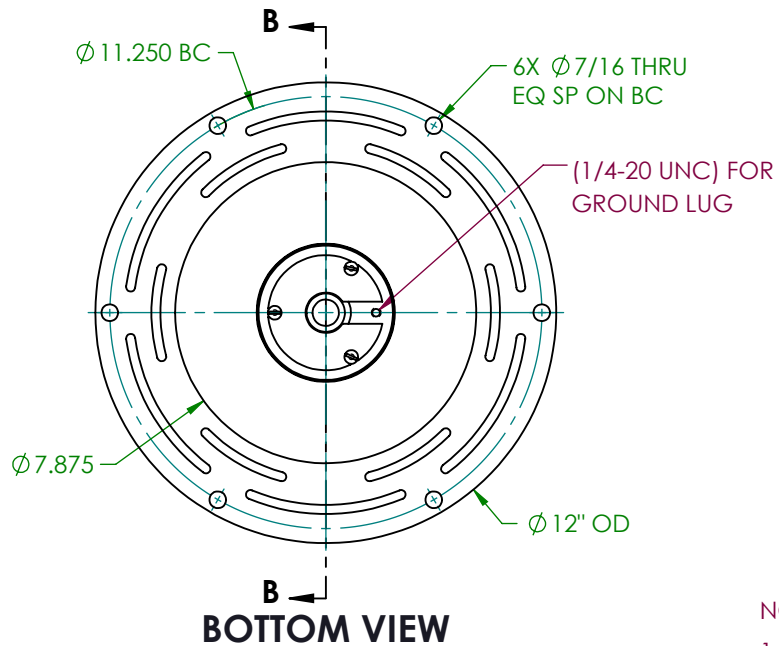
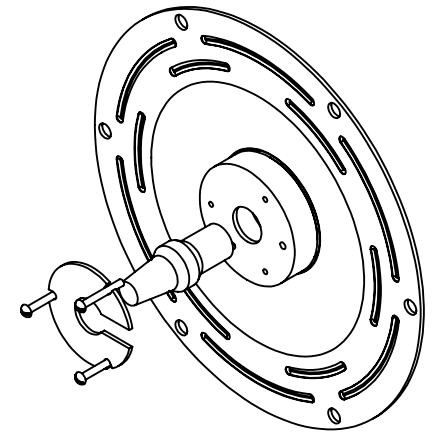
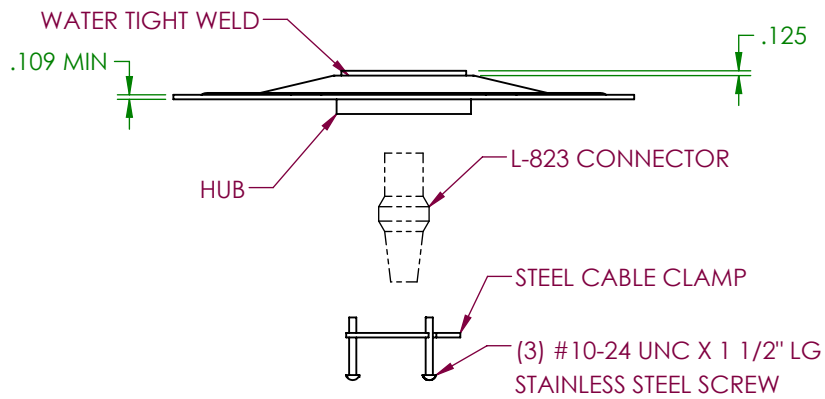


SECTION B-B

NOTE:


1. FINISH IS POLYESTER TGIC POWDER COAT FULL GLOSS SMOOTH. COLOR IS FS 13538 YELLOW.
2. BASE PLATE IS INDIVIDUALLY PACKED WITH NEOPRENE GASKET, STEEL CABLE CLAMP AND SCREWS FOR SECURING L-823 CONNECTOR AND ASSEMBLY INSTRUCTIONS.
3. FOR GROUNDING OPTION, BASE PLATE PACKAGE INCLUDES (1) 1/4-20 UNC X 1/2" LG SOCKET HEAD CAP SCREW AND (1) #6 COPPER GROUND LUG. ADD "G" TO END OF PART NUMBER FOR GROUNDING OPTION. EX.: 128B015G
4. DESIGNED TO COMPLY WITH FAA CIRCULAR AC510/5345-42 (CURRENT VERSION).

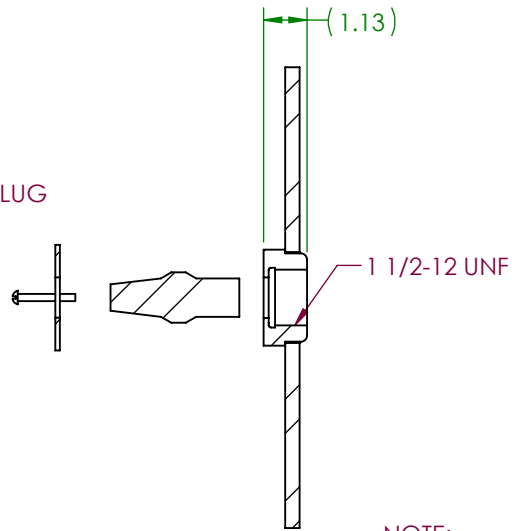
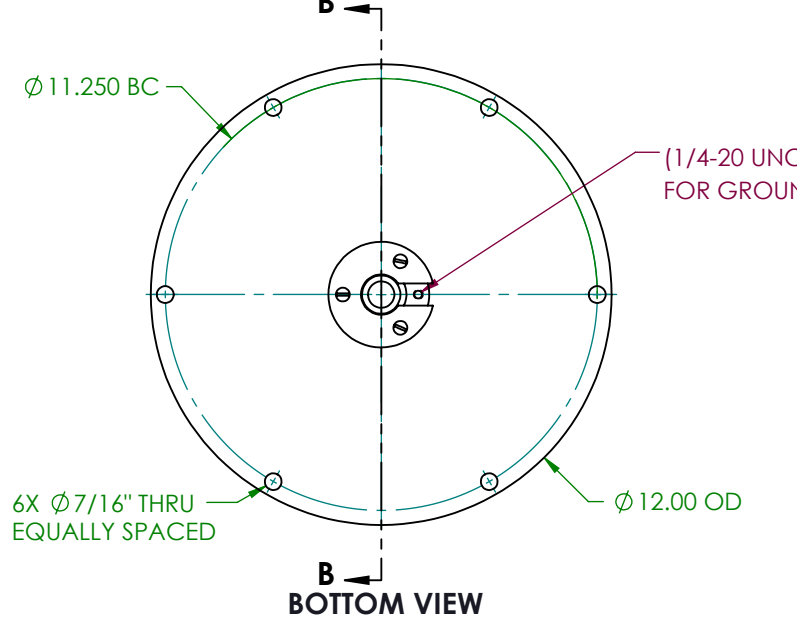
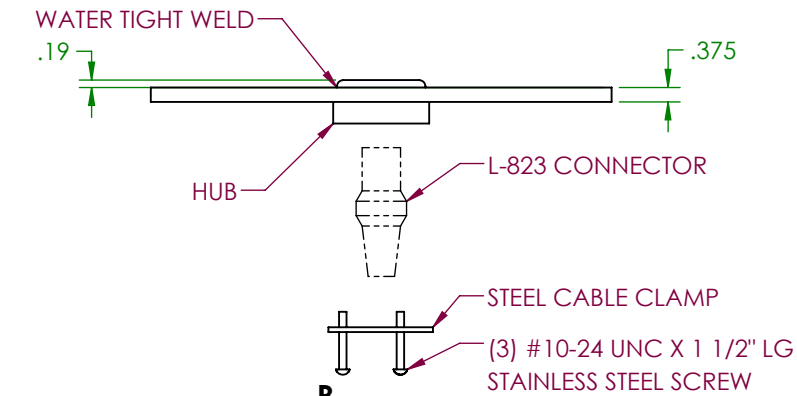
DWN: DOUG F.	L-868 1 1/2" BASE PLATE			622 6TH ST. SO. WINSTED, MN 55395	8B-1 1/2
DATE: 9/29/2017					
SCALE: 1:5					
SHEET 1 OF 1					



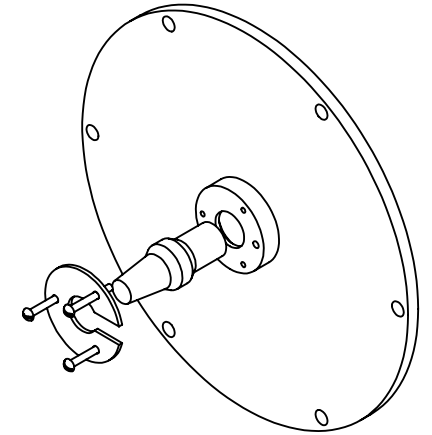
NOTE:

1. FINISH IS POLYESTER TGIC POWDER COAT FULL GLOSS SMOOTH. COLOR IS FS 13538 YELLOW.
2. BASE PLATE IS INDIVIDUALLY PACKED WITH NEOPRENE GASKET, STEEL CABLE CLAMP AND SCREWS FOR SECURING L-823 CONNECTOR AND ASSEMBLY INSTRUCTIONS.
3. FOR GROUNDING OPTION, BASE PLATE PACKAGE INCLUDES (1) 1/4-20 UNC X 1/2" LG SOCKET HEAD CAP SCREW AND (1) #6 COPPER GROUND LUG. ADD "G" TO END OF PART NUMBER FOR GROUNDING OPTION. EX.: 128B02G
4. DESIGNED TO COMPLY WITH FAA CIRCULAR AC510/5345-42 (CURRENT VERSION).

DWN: DOUG F.	L-868B 2" BASE PLATE		
DATE: 9/29/2017			
SCALE: 1:5		622 6TH ST. SO. WINSTED, MN 55395	8B-2
SHEET 1 OF 1			




SECTION B-B

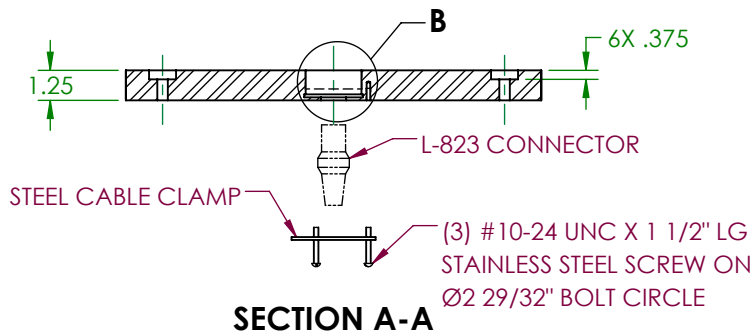


NOTE:

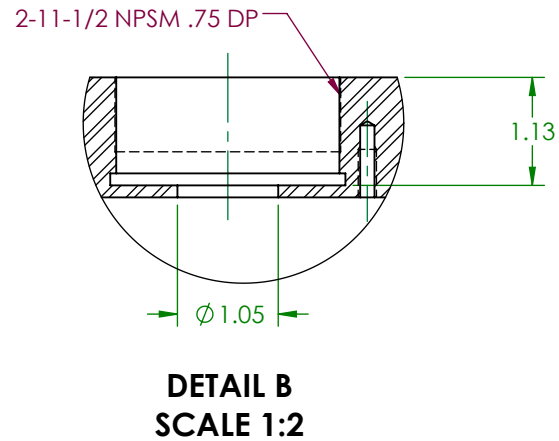
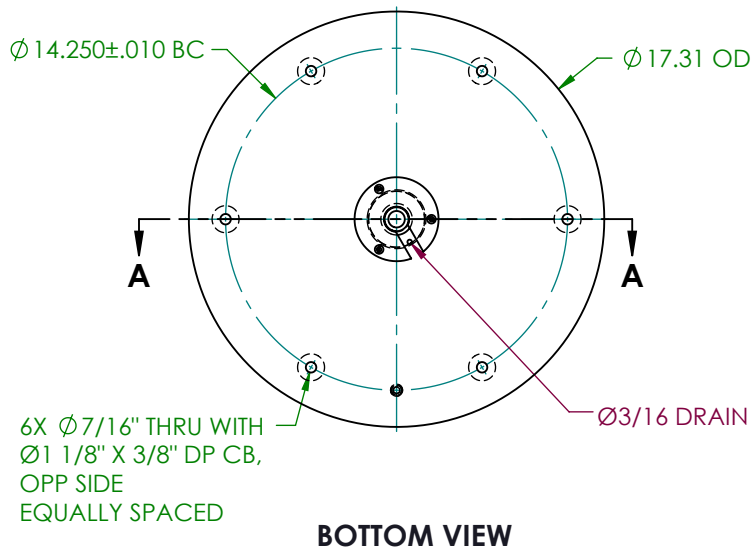
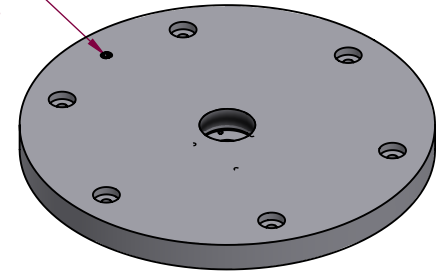
1. FINISH IS POLYESTER TGIC POWDER COAT FULL GLOSS SMOOTH. COLOR IS FS 13538 YELLOW.
2. HEAVY BASE PLATE IS INDIVIDUALLY PACKED WITH NEOPRENE GASKET, STEEL CABLE CLAMP AND SCREWS FOR SECURING L-823 CONNECTOR AND ASSEMBLY INSTRUCTIONS.
3. FOR GROUNDING OPTION, BASE PLATE PACKAGE INCLUDES (1) 1/4-20 UNC X 1/2" LG SOCKET HEAD CAP SCREW AND (1) #6 COPPER GROUND LUG. ADD "G" TO END OF PART NUMBER FOR GROUNDING OPTION. EX.: 128B3802G
4. DESIGNED TO COMPLY WITH FAA CIRCULAR AC510/5345-42 (CURRENT VERSION).

FAA TYPE	'MT'	PART NUMBER
L868B	1 1/2-12 UNF	128B38015
	2"-11 1/2 NPS	128B3802

DWN: DOUG F.	L-868 HEAVY BASE PLATE	
DATE: 10/4/2017		
SCALE: NTS		622 6TH ST. SO. WINSTED, MN 55395
SHEET 1 OF 1		



1/2-13 UNC X 1/2" LONG
STAINLESS STEEL HEX SOCKET
SET SCREW IS INSTALLED
FLUSH WITH TOP SURFACE



NOTE:

1. MATERIAL IS ASTM A572 GRADE 50.
2. FINISH IS HOT DIP GALVANIZED PER ASTM A123.
3. HEAVY BASE PLATE IS INDIVIDUALLY PACKED WITH (6) 3/8-16 UNC X 1 1/2" LONG STAINLESS STEEL HEX HEAD BOLTS, STEEL CABLE CLAMP AND SCREWS FOR SECURING L-823 CONNECTOR, 2-11-1/2 NPSM PIPE PLUG AND ASSEMBLY INSTRUCTIONS.
4. CENTER HOLE SIZES OTHER THAN 2-11-1/2 NPSM AND OTHER PLATE THICKNESSES ARE AVAILABLE. SPECIFY WHEN ORDERING.

TOLERANCES UNLESS SHOWN
FRACTIONAL $\pm 1/32"$
DECIMAL $\pm .030$
ANGLES $\pm 0^\circ 30'$

DWN: DOUG F.	HEAVY BASE PLATE	
DATE: 2/28/2018		
SCALE: NTS	 622 6TH ST. SO. WINSTED, MN 55395	17B0125
SHEET 1 OF 1		