



# ACT (CHAMFERED SQUARE TAPERED)

## ANCHOR BOLTS

Anchor bolts conform to ASTM F1554 Grade-55 standards. Bolts have an “L” bend at one end and a minimum of 12” galvanized threads on the other end. Two galvanized flat washers per ASTM F436 and two galvanized hexagonal nuts per ASTM A563 Grade DH are provided with each bolt.

## BASE STYLE

Each pole assembly is fashioned with a Millerbernd Manufacturing Company Chamfered High Base. The base shall be fabricated from the same material as the pole shaft and stands 27 inches tall. The pole shaft is slip fitted and welded to the base.

## SHAFT

The pole shaft conforms to ASTM A1011 Grade 50 (carbon steel) standards and is formed with a constant linear taper. The shaft is formed with a uniform chamfer across all four corners.

## HANDHOLE

A reinforced handhole with flush mounted cover, grounding lug, and hardware is provided with each pole assembly.

## MOUNTING OPTIONS

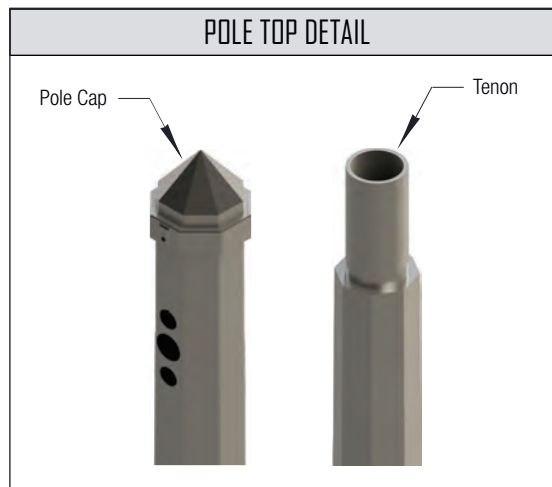
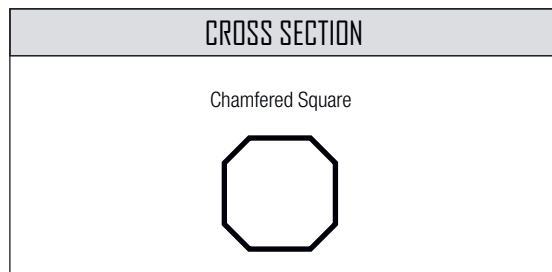
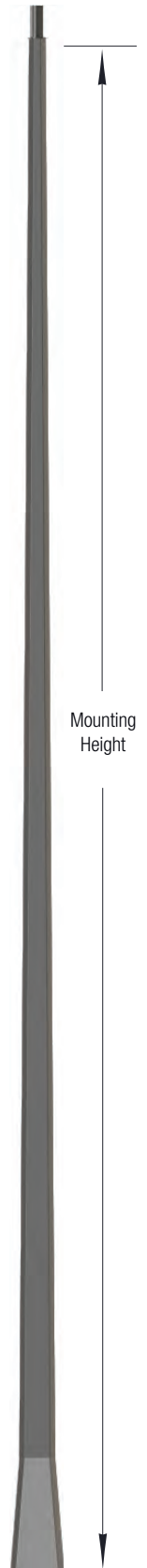
The pole may be specified with a single tenon mount for pole top mounting or side drilled pattern. For multiple fixtures, an adapter (found on pages 64-68 of this catalog) should be used. A removable pole cap is provided for poles specified with side drill luminaire mounting.

## FINISH OPTIONS

Carbon steel poles may be specified as hot-dip galvanized per ASTM A123 and/or finish painted with our standard Millerbond Wet Coat Finish.

## HARDWARE

All hardware and fasteners are supplied with each pole assembly. All structural fasteners are galvanized high-strength carbon steel.





**CARBON STEEL**

PART #	MOUNTING HEIGHT (FT)	WEIGHT (LBS.)	BASE DIAMETER (IN)	TOP DIAMETER (IN)	BOLT CIRCLE (IN)	BASE SQUARE (IN)	MAX EPA 90 MPH	MAX EPA 100 MPH	MAX EPA 110 MPH	MAX EPA 120 MPH	MAX EPA 130 MPH	MAX EPA 140 MPH	MAX EPA 150 MPH
ACT-H-081-A-250	25	196	8.1	3.7	11	12	17.24	12.94	9.71	7.22	5.72	3.72	2.46
ACT-H-081-A-300	30	232	8.1	3.7	11	12	12.02	8.42	5.72	3.64	2.01	0.7	
ACT-H-089-A-350	35	272	8.9	3.7	12	14	9.36	5.91	3.32	1.32			
ACT-H-089-B-350	35	430	8.9	3.7	12	14	23.55	17.57	12.92	9.34	6.52	4.26	2.43
ACT-H-097-A-400	40	350	9.7	3.7	15	15	6.23	2.83					
ACT-H-097-B-400	40	508	9.7	3.7	15	15	16.84	11.55	7.56	4.48	2.06		

1. Variations from above sizes are available. Consult factory for allowable weight and EPA ratings for custom sizes.
2. Charted weights include the base and pole shaft.
3. Anchor base available for chamfered square options. Consult factory for sizes and allowable luminaire weight and EPA ratings.

ACT -	H -					C -			
Design	Base Style	Base Diameter	Wall Thickness	Mounting Height	Mounting Style		Cross Section	Finish	Options
	H = High	Base diameter is identified with one decimal place to identify diameter in inches. (e.g. 094 = 9.4")	A = 11 GA B = 7 GA C = 3/16" D = 1/4 "	Mounting height is identified with one decimal place to identify height in feet. (e.g. 255=25.5')	DM19 = Drill 1 @ 90 DM29 = Drill 2 @ 90 DM28 = Drill 2 @ 180 DM39 = Drill 3 @ 90 DM32 = Drill 3 @ 120 DM49 = Drill 4 @ 90	PT1 = 2.38" x 4" Tenon PT2 = 2.38" x 6" Tenon PT3 = 2.88" x 4" Tenon PT4 = 3.5" x 6" Tenon PT5 = 4" x 6" Tenon PT6 = Specialty Top Mount	C = Chamfered Square	GV = Hot Dip-Galvanize FP = Finish Paint GP = Paint Over Galvanize	Insert Part Number for options, seperated by "."