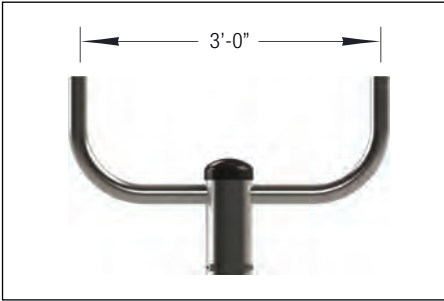


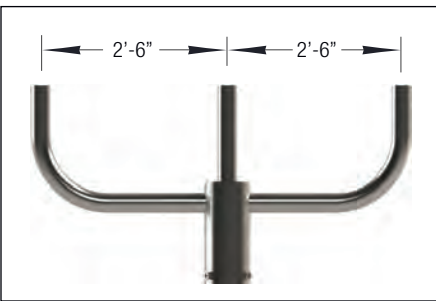


BULLHORN ADAPTERS

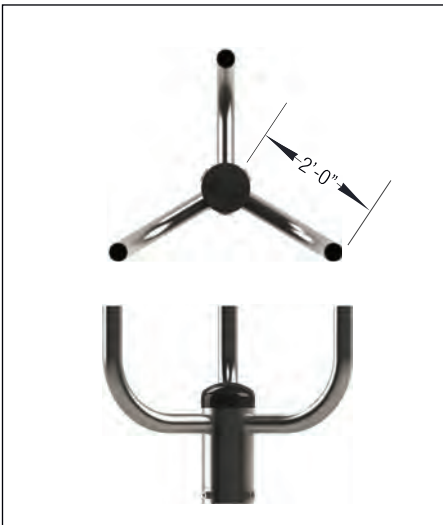
BR28



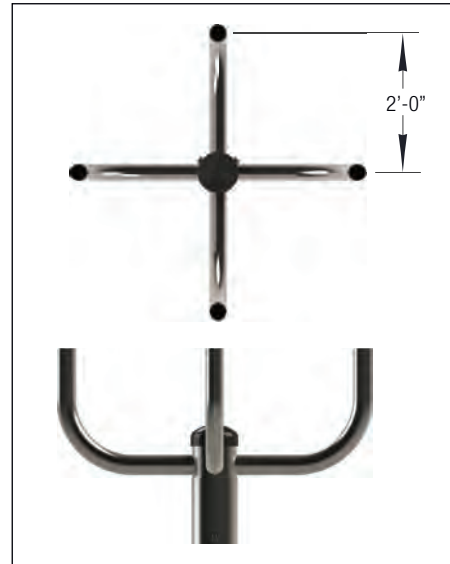
BR38



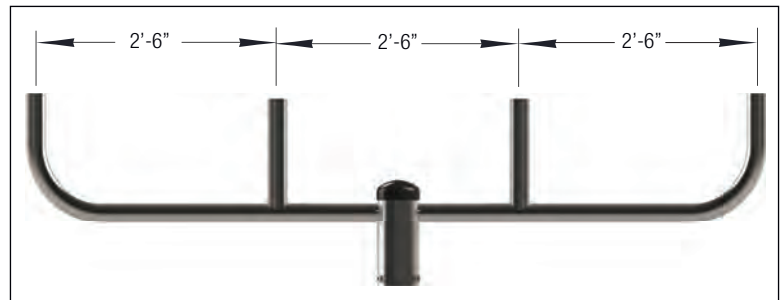
BR32



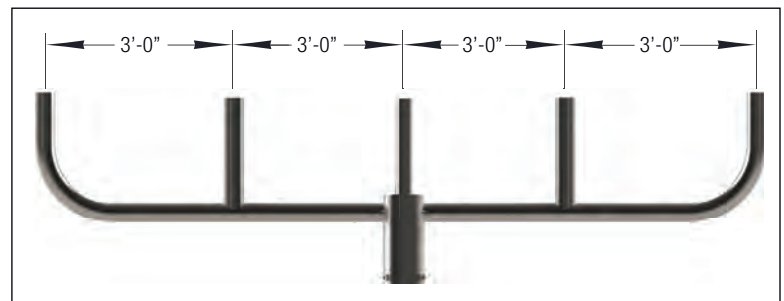
BR49



BR48



BR58





PART #	NO. FIXTURES	ORIENTATION	BULLHORN WEIGHT	BULLHORN EPA*
BR28	2	180°	15.99	1.36
BR32	3	120°	36.26	0.96
BR38	3	180°	32.63	1.74
BR49	4	90°	46.39	1.5
BR48	4	180°	45.81	1.3
BR58	5	180°	46.04	1.7

*Total EPA of both the arm and fixture must be less than maximum allowable EPA of the structure.

**All bullhorn adapter arms rise 1 foot above the pole top.

