



# FAIRFAX (DFA)

## ANCHOR BOLTS

Anchor bolts conform to ASTM F1554 Grade-55 standards. Bolts have an "L" bend at one end and a minimum of 12" galvanized threads on the other end. Each bolt comes fashioned with two flat washers and two hexagonal nuts.

## BASE STYLE

Each pole assembly is fashioned with a Millerbernd Manufacturing Company High Base. The base is fabricated from the same material as the pole shaft and stands 27 inches tall. The pole shaft is slip fitted and welded to the base.

## SHAFT

The pole shaft conforms to ASTM A1011 Grade 50 carbon steel or ASTM A240 Grade 201L stainless steel standards and is formed with a constant linear taper.

## HANDHOLE

A reinforced doorway with cover, grounding lug, and hardware is provided with each pole assembly.

## MOUNTING OPTIONS

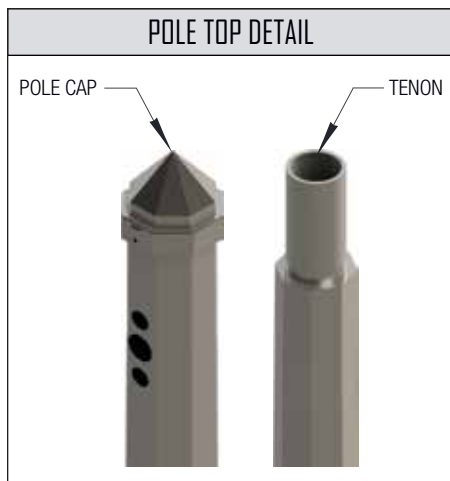
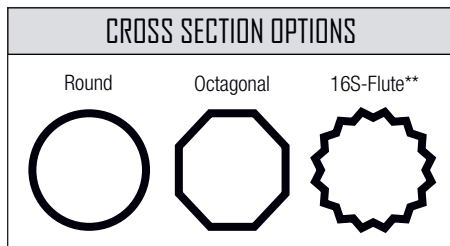
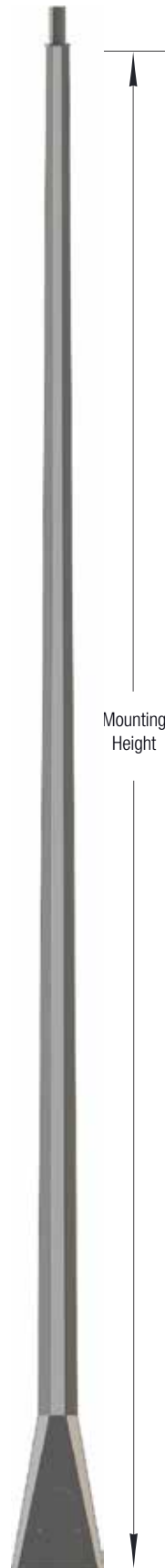
The pole is specified with a single tenon mount for pole top mounting or side drilled pattern. For multiple fixtures, an adapter should be used. A removable pole cap shall be provided for poles specified with side drill luminaire mounting.

## FINISH OPTIONS

Carbon steel poles are to be specified as hot-dip galvanized per ASTM A123 or finish painted with our standard Millerbond Wet Coat Finish. Stainless steel poles are to be specified as frost (rust resistant stainless steel shot blast) finished or finish painted with our standard Millerbond Wet Coat Finish.

## HARDWARE

All hardware and fasteners are supplied with each pole assembly. All structural fasteners are galvanized high-strength carbon steel or 18-8 stainless steel.





## CARBON STEEL

PART #	MOUNTING HEIGHT (FT)	WEIGHT (LBS.)	BASE O.D. (IN)	TOP O.D. (IN)	BOLT CIRCLE +/- 0.5 (IN)	BASE SQUARE (IN)	MAX EPA 90 MPH	MAX EPA 100 MPH	MAX EPA 110 MPH	MAX EPA 120 MPH	MAX EPA 130 MPH	MAX EPA 140 MPH	MAX EPA 150 MPH
DFA-A-054-080	8	75	5.4	3	9.5	12	37.84	30.85	25.62	21.61	18.46	15.96	13.92
DFA-A-054-100	10	86	5.4	3	9.5	12	36.41	29.69	24.65	20.78	17.74	15.32	13.36
DFA-A-054-120	12	97	5.4	3	9.5	12	32.08	26.1	21.62	18.18	15.46	13.3	11.54
DFA-A-054-140	14	107	5.4	3	9.5	12	25.92	20.94	17.19	14.26	11.96	10.11	8.62
DFA-A-054-160	16	118	5.4	3	9.5	12	22.21	17.78	14.45	11.89	9.89	8.28	6.99
DFA-A-054-180	18	123	5.4	3	9.5	12	18.86	14.99	12.09	9.86	8.11	6.71	5.58
DFA-A-054-200	20	134	5.4	3	9.5	12	16.14	12.72	10.16	8.19	6.65	5.41	4.41
DFA-A-070-220	22	195	7	4	9.5	12	24.83	19.59	15.66	12.64	10.28	8.39	6.86
DFA-A-070-240	24	214	7	4	9.5	12	21.68	16.96	13.42	10.69	8.56	6.85	5.47
DFA-A-070-270	27	230	7	4	9.5	12	17.77	13.67	10.59	8.22	6.37	4.88	3.68
DFA-A-070-300	30	251	7	4	9.5	12	14.57	10.95	8.24	6.15	4.51	3.2	2.13
DFA-A-070-340	34	279	7	4	9.5	12	11.06	7.96	5.62	3.82	2.4	1.27	
DFA-A-070-390	39	317	7	4	9.5	12	7.53	4.89	2.91	1.38			

## STAINLESS STEEL

PART #	MOUNTING HEIGHT (FT)	WEIGHT (LBS.)	BASE O.D. (IN)	TOP O.D. (IN)	BOLT CIRCLE +/- 0.5 (IN)	BASE SQUARE (IN)	MAX EPA 90 MPH	MAX EPA 100 MPH	MAX EPA 110 MPH	MAX EPA 120 MPH	MAX EPA 130 MPH	MAX EPA 140 MPH	MAX EPA 150 MPH
DTA-E-054-080	8	52	5.4	3	9.5	12	23.55	19.2	15.95	13.45	11.49	9.93	8.67
DTA-E-054-100	10	59	5.4	3	9.5	12	21.15	17.21	14.25	11.97	10.18	8.74	7.57
DTA-E-054-120	12	67	5.4	3	9.5	12	18.21	14.72	12.07	10	8.36	7.05	5.98
DTA-E-054-140	14	74	5.4	3	9.5	12	15.49	12.34	9.97	8.16	6.74	5.6	4.68
DTA-E-054-160	16	81	5.4	3	9.5	12	12.95	10.21	8.16	6.58	5.35	4.36	3.56
DTA-E-054-180	18	85	5.4	3	9.5	12	10.78	8.39	6.6	5.23	4.15	3.29	2.59
DTA-E-054-200	20	92	5.4	3	9.5	12	9	6.9	5.32	4.1	3.14	2.38	1.76
DTA-E-070-220	22	135	7	4	9.5	12	12.69	9.8	7.62	5.95	4.63	3.58	2.72
DTA-E-070-240	24	148	7	4	9.5	12	10.83	8.22	6.26	4.75	3.56	2.61	1.84
DTA-E-070-270	27	159	7	4	9.5	12	8.49	6.23	4.52	3.21	2.17	1.34	0.67
DTA-E-070-300	30	173	7	4	9.5	12	6	3.94	2.4	1.22			
DTA-F-070-340	34	193	7	4	9.5	12	10.97	8.03	5.91	4.35	3.19	2.31	1.63
DTA-F-070-390	39	219	7	4	9.5	12	7.52	5.07	3.31	2.06	1.14		

- Variations from above sizes are available. Consult factory for allowable weight and EPA ratings for custom sizes.
- Charted weights include the base and pole shaft.
- All multi-sided stainless steel poles with a mounting height of 35 feet or more are 16-sided.
- Stainless steel breakaway High-Base option available. For a breakaway High-Base, insert "BKB" as an option.

Design	Wall Thickness	Base Diameter	Mounting Height	Mounting Style		Cross Section	Finish	Options
DFA -	-	-	-	-	-	-	-	-
	A = 11 GA B = 7 GA C = 3/16" D = 1/4" E = 14 ga Stainless Steel F = 12 ga Stainless Steel	Base diameter is identified with one decimal place to identify diameter in inches. (e.g. 094 = 9.4")	Mounting height is identified with one decimal place to identify height in feet. (e.g. 255=25.5')	DM19 = Drill 1 @ 90 DM29 = Drill 2 @ 90 DM28 = Drill 2 @ 180 DM39 = Drill 3 @ 90 DM32 = Drill 3 @ 120 DM49 = Drill 4 @ 90	PT1 = 2.38" x 4" Tenon PT2 = 2.38" x 6" Tenon PT3 = 2.88" x 4" Tenon PT4 = 3.5" x 6" Tenon PT5 = 4" x 6" Tenon PT6 = Specialty Top Mount	H = 8-Sided W = 16-Sided F = Fluted	GV = Hot Dip-Galvanize FP = Finish Paint GP = Paint Over Galvanize FR = Frost (Stainless Steel Only)	Insert Part Number for options, separated by "-"