

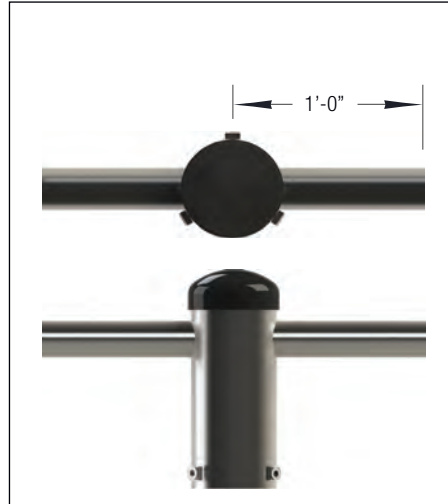


SPOKE ARMS

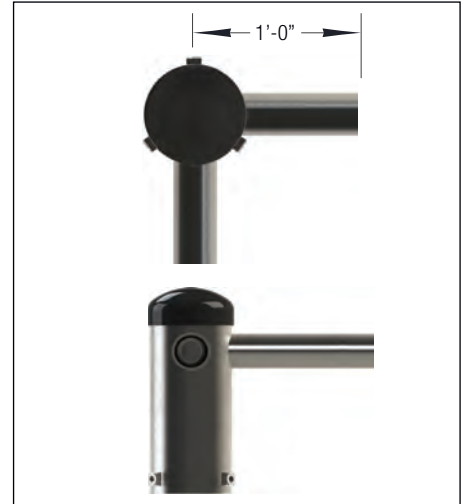
SR19



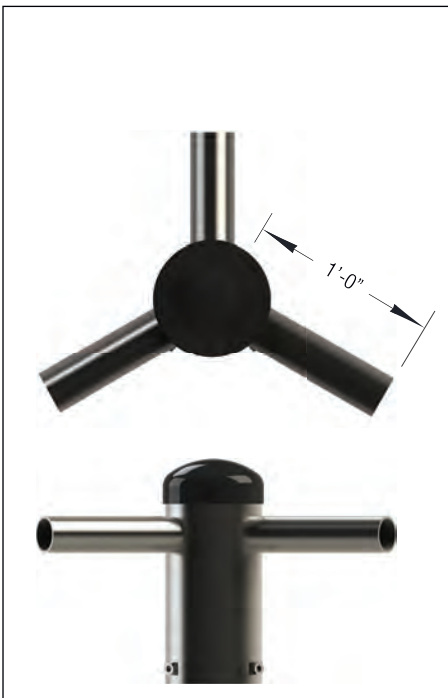
SR28



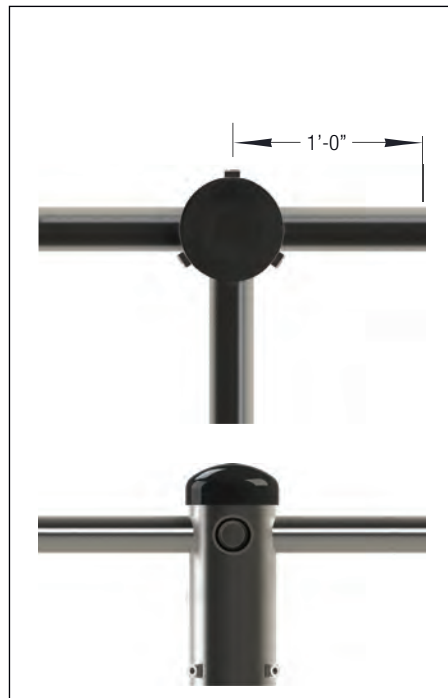
SR29



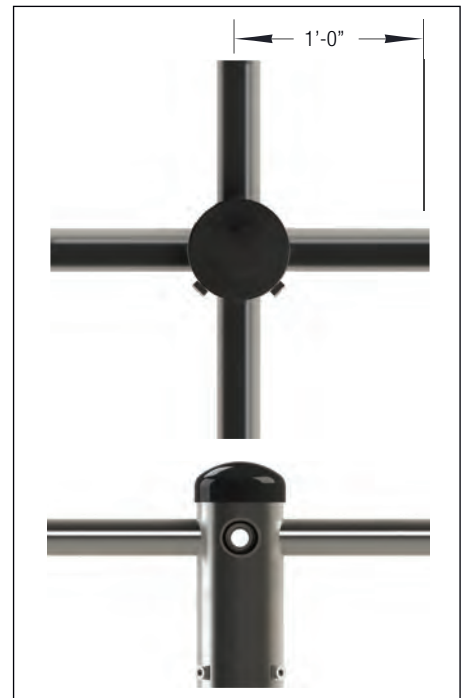
SR32



SR39



SR49





PART #	NO. FIXTURES	ORIENTATION	ARM WEIGHT (LBS)	ARM EPA*
SR19	1	N/A	11.41	0.44
SR28	2	180°	29.41	1.44
SR29	2	90°	29.41	0.84
SR39	3	90°	40.21	1.44
SR32	3	120°	40.21	0.86
SR49	4	90°	51.01	1.44

*Total EPA of both the arm and fixture must be less than maximum allowable EPA of the lighting structure.

** Octagonal spoke arms available upon request. Consult factory for weight and EPA.

Octagonal Option** (Consult Factory)

