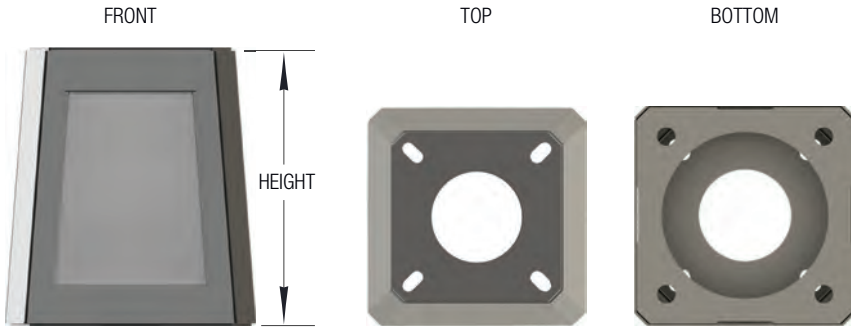




# TRANSFORMER BASE

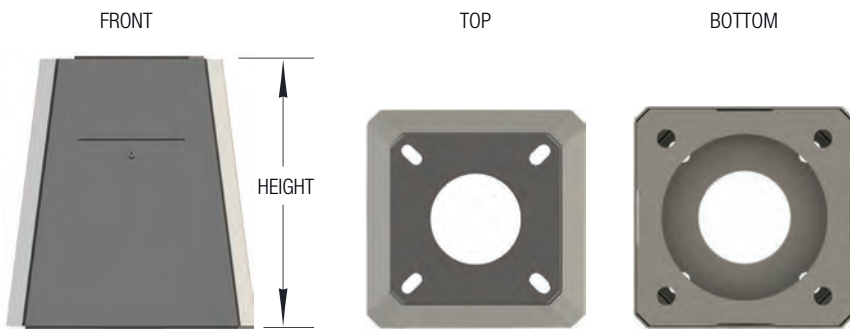
## STEEL TRANSFORMER BASE



PART #	POLE HEIGHT (FT)	BOTTOM B.C. (IN)	HEIGHT (IN)
ST1	25	15	20
ST2	30	15	20
ST3	35	15	20
ST4	40	17	20

Top plate fabricated with 2.25" slots to allow for 9.5" - 12" variable bolt circles.

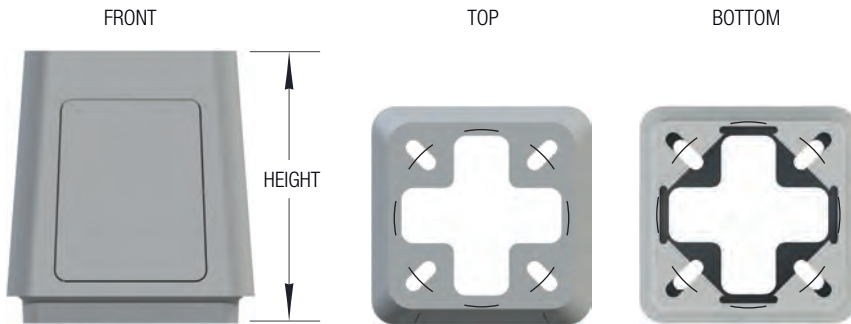
## STAINLESS STEEL TRANSFORMER BASE



PART #	POLE HEIGHT (FT)	BOTTOM B.C. (IN)	HEIGHT (IN)
SS1	25	15	20
SS2	30	15	20
SS3	35	15	20
SS4	40	17	20

Top plate fabricated with 2.25" slots to allow for 9.5" - 12" variable bolt circles.

## ALUMINUM TRANSFORMER BASE



PART #	BOTTOM B.C. (IN)	TOP B.C. (IN)	HEIGHT (IN)
TB1	13 - 15	10.5 - 13.5	17
TB2	10 - 12	10 - 12	17
TB3	15 - 17.25	13 - 15.125	17
TB5	14.5 - 16.25	14.5 - 15.25	9
TB6	10 - 12.75	10.5 - 12	9

1. Aluminum Transformer Bases are an AASHTO approved breakaway device.
2. Consult factory regarding proposed application, load requirements, and installation methods, before installation. Failure can result from misapplication and improper installation.